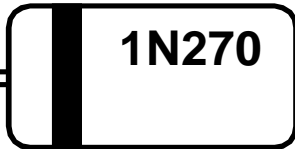


Gold Bonded



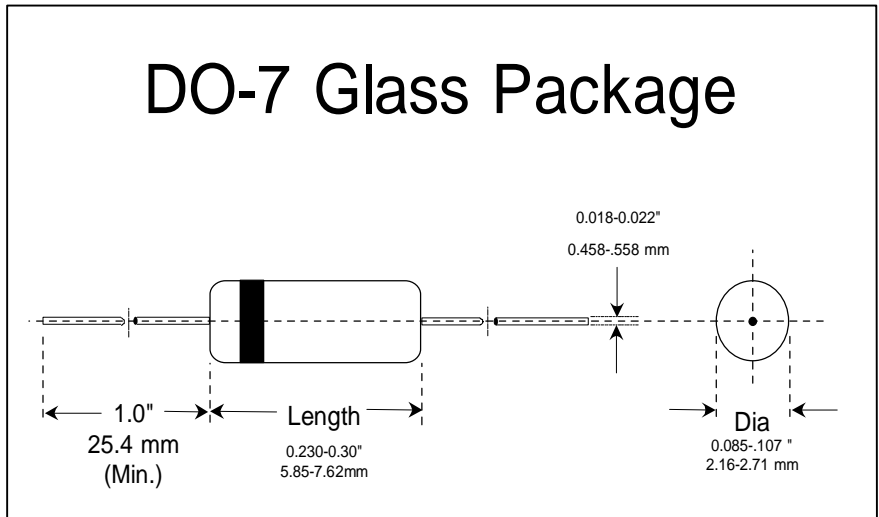
Germanium Diodes

Optimized for Radio Frequency Response

Can be used in many AM, FM and TV-IF applications, replacing point contact devices.

Applications

- AM/FM detectors
• Ratio detectors
• FM discriminators
• TV audio detectors
• RF input probes
• TV video detectors



Features

- Lower leakage current
• Flat junction capacitance
• High mechanical strength
• At least 1 million hours MTBF
• BKC's Sigma-Bond™ plating for problem free solderability

Absolute Maximum Ratings at T_amb = 25 °C

Table with 5 columns: Parameter, Symbols, Min., Max., Units. Rows include Peak Inverse Voltage, Surge Current, Average Rectified Forward Current, Peak Operating Current, and Operating and Storage Temperatures.

Electrical Characteristics at T_amb = 25 °C

Table with 6 columns: Parameter, Test Conditions, Symbols, Min., Typ., Max., Units. Rows include Forward Voltage Drop, Breakdown Voltage, Reverse Leakage, and Junction Capacitance.



LittleDiode supplies new, hard to find or obsolete electronic components and semiconductors all over the world.

With over two million different components listed you are sure to find the part you need.

Feel free to visit us today at our online store:

LittleDiode.com

Looking forward to providing you with the best possible service.