

**Gold Bonded****AA143****Germanium Diodes***Optimized for Radio Frequency Response*

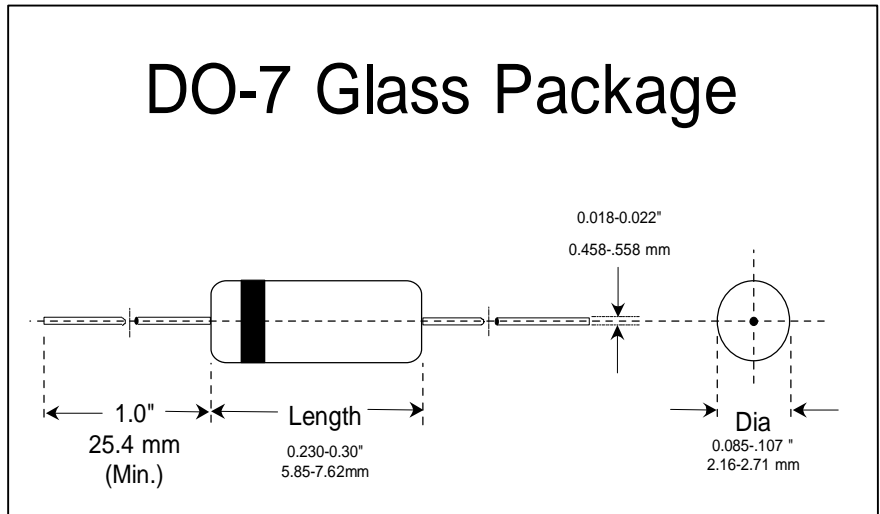
Can be used in many AM, FM and TV-IF applications, replacing point contact devices.

## Applications

- AM/FM detectors
- Ratio detectors
- FM discriminators
- TV audio detectors
- RF input probes
- TV video detectors

## Features

- Lower leakage current
- Flat junction capacitance
- High mechanical strength
- At least 1 million hours MTBF
- BKC's Sigma-Bond™ plating for problem free solderability

Absolute Maximum Ratings at  $T_{amb} = 25\text{ }^{\circ}\text{C}$ 

Parameter	Symbols	Min.	Max.	Units
Peak Inverse Voltage	PIV	**	25	Volts
Surge Current, $t = 1$ Second	$I_{FSM}$		0.5	Amps
Average Rectified Forward Current	$I_O$		40	mA
Peak Operating Current	$I_{OS}$		325	mA
Operating and Storage Temperatures	$T_{J\&STG}$	-65	+85	$^{\circ}\text{C}$

Electrical Characteristics at  $T_{amb} = 25\text{ }^{\circ}\text{C}$ 

Parameter	Test Conditions	Symbols	Min.	Typ.	Max.	Units
Forward Voltage Drop	$I_F = 2.0\text{ mA}$	$V_F$	0.29		0.33	Volts
Forward Voltage Drop	$I_F = 15\text{ mA}$	$V_F$	***		0.50	Volts
Breakdown Voltage @ $I_R = 0.1\text{ mA}$		PIV	25			Volts
Reverse Leakage	$V_R = 50\text{ Volts}$	$I_R$		**	100	$\mu\text{A}$
Junction Capacitance	$f = 1\text{ MHz}, V_R = 3\text{ volts}$	$C_J$		1.2		pF
Reverse Recovery Time	$I_f = 2\text{ mA}, I_r = 0.2\text{ mA}$			$T_{rr}$	70	nSec

**Microsemi**

6 Lake Street - Lawrence, MA 01841

Tel: 978-681-0392 - Fax: 978-681-9135



LittleDiode supplies new, hard to find or obsolete electronic components and semiconductors all over the world.

With over two million different components listed you are sure to find the part you need.

Feel free to visit us today at our online store:

[LittleDiode.com](http://LittleDiode.com)

Looking forward to providing you with the best possible service.