

HA13444

Quad Solenoid Driver

Description

HA13444 is a low-active quad driver IC, designed to act as a solenoid driver for motor vehicles.

Functions

- 0.6-A × 4-channel output circuit
- Clamp diode
- Chip enable

Features

- High voltage: 60 V
- Low saturation voltage
- Non-inverting input
- Small input current
- Compatible with TTL, LS-TTL, 5-V CMOS input

Truth Table

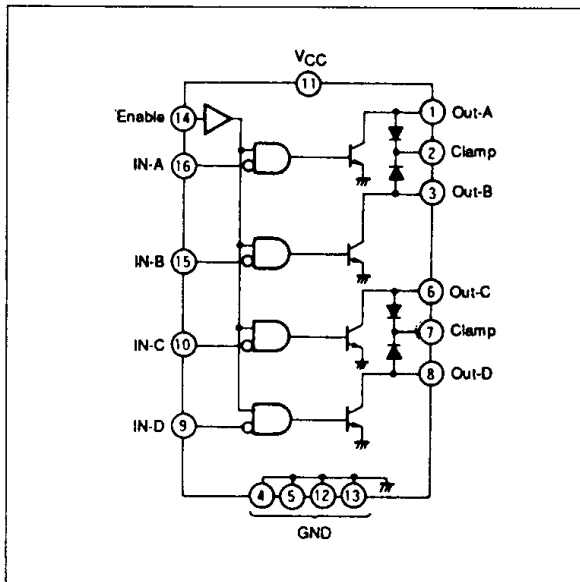
Enable	Input	Output
H	L	On
H	H	Off
L	X	Off

H : High level (2.0 V)

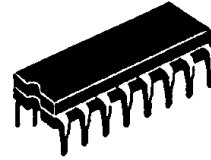
L : Low level (0.8 V)

X : High, low, or open

Block Diagram

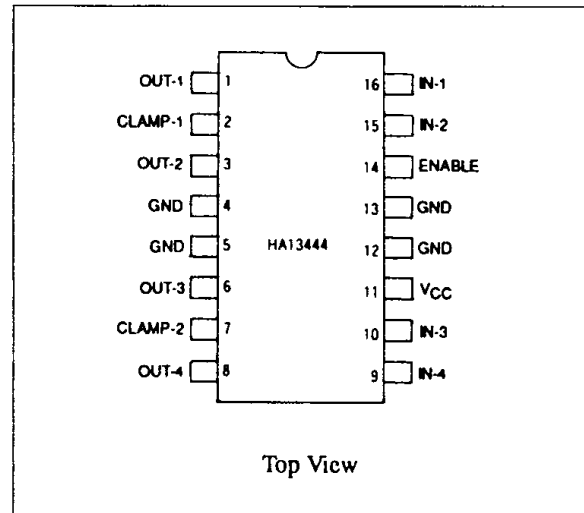


HA13444



(DP-16C)

Pin Assignment



HA13444

Absolute Maximum Ratings (Ta = 25°C)

Parameter	Symbol	Rating	Unit	Note
Power supply voltage	V _{CC}	7	V	1
Input voltage	V _{in}	15	V	
Output voltage	V _{CEx}	60	V	
Output current	I _{out}	0.6	A	
Power dissipation	P _T	1.85	W	2
Junction temperature	T _j	150	°C	
Operating junction temperature	T _{jop}	-40 to +125	°C	
Storage temperature	T _{stg}	-55 to +150	°C	

The absolute maximum ratings are limiting values, to be applied individually, beyond which the device may be permanently damaged. Functional operation under any of these conditions is not guaranteed. Exposing a circuit to its absolute maximum rating for extended periods of time may affect the device's reliability.

Notes:

- Recommended operating temperature range is 4.5 to 5.5V.
- The following are thermal resistance values:
 - $\theta_{j-a1} \leq 60^\circ\text{C/W}$ (for printed circuit board patterning)
 - $\theta_{j-a2} \leq 35^\circ\text{C/W}$ (for printed circuit board with sufficient wiring density)
 - $\theta_{j-a3} \leq 15^\circ\text{C/W}$ (for assuming infinite heat sink at pins 4, 5, 12, 13)

Electrical Characteristics (Ta = 25°C, V_{CC} = 5.0V)

Parameter	Symbol	Min	Typ	Max	Unit	Test Conditions	Pins	Notes
Power supply current	I _{CC}	—	60	80	mA	ENABLE = 2 V, V _{in} = 0.8 V, I _{out} = 0.6 A × 4 channels	11	
	I _{CCO}	—	6	—	mA	ENABLE = 0.8 V		
Input low-level voltage	V _{IL}	—	—	0.8	V		9, 10, 14,	
Input high-level voltage	V _{IH}	2.0	—	—	V		15, 16	
Input low-level current	I _{IL}	—	-1	±10	μA	V _{in} = 0.4 V		
Input high-level current	I _{IH}	—	0	±10	μA	V _{in} = 5.5 V		
Collector-emitter saturation voltage	V _{CE(sat)}	—	0.1	0.3	V	V _{CC} = 4.75 V, I _{out} = 0.1 A	1, 3, 6, 8	
		—	0.25	0.4	V	V _{in} = 0.8 V, I _{out} = 0.3 A		
		—	0.4	0.7	V	I _{out} = 0.6 A		
Output leak current	I _{CEX}	—	—	100	μA	V _{CEx} = 60 V		
Output sustained voltage	V _{CE(sus)}	60	—	—	V	V _{in} = 2 V, I _{out} = 0.1 A		1
Clamp diode forward voltage	V _F	—	1.2	1.6	V	I _F = 0.8 A	1, 3, 6, 8	
		—	1.5	2.0	V	I _F = 1.5 A	2, 7	
Clamp diode leak current	I _R	—	—	100	μA	V _R = 60 V		
Propagation delay time	t _{pHL}	—	0.2	0.5	μs	I _{out} = 0.6 A	9, 10, 15, 16	
	t _{pLH}	—	1.5	8.0	μs	I _{out} = 0.6 A	1, 3, 6, 8	

Note:

- See figure 1 for measurement.

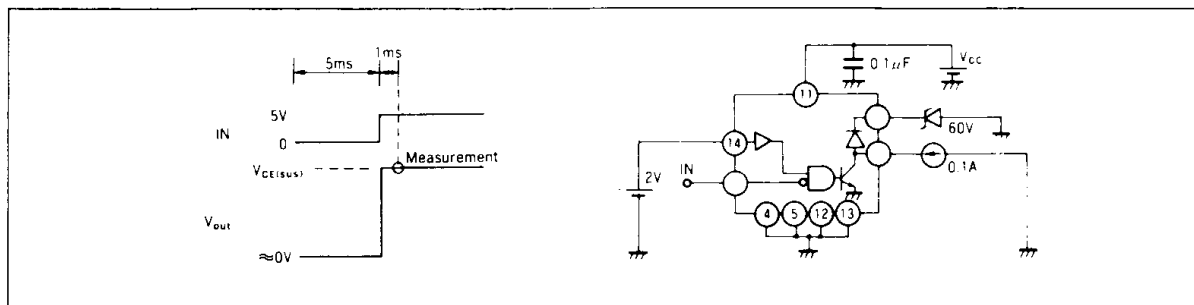


Figure 1 V_{CE(sus)} Measurement Circuit



This datasheet has been downloaded from:

www.DatasheetCatalog.com

Datasheets for electronic components.



LittleDiode supplies new, hard to find or obsolete electronic components and semiconductors all over the world.

With over two million different components listed you are sure to find the part you need.

Feel free to visit us today at our online store:

LittleDiode.com

Looking forward to providing you with the best possible service.