

DS55493/DS75493 Quad LED Segment Driver

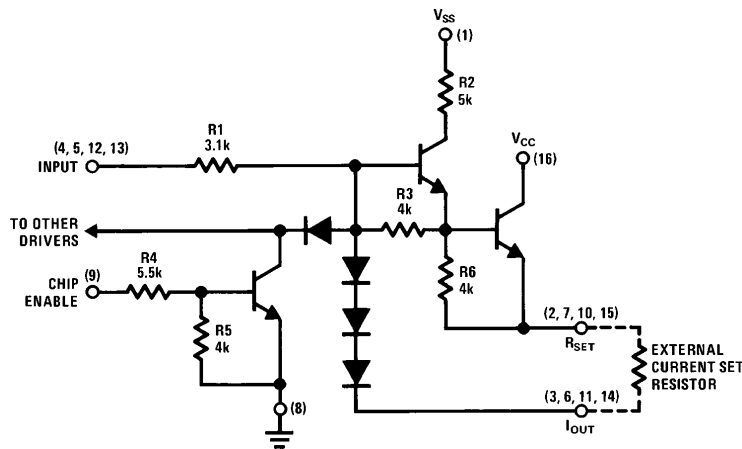
General Description

The DS55493/DS75493 is a quad LED segment driver. It is designed to interface between MOS IC's and LED's. An external resistor is required for each segment to drive the output current which is approximately equal to $0.7V/R_L$ and is relatively constant, independent of supply variations. Blanking can be achieved by taking the chip enable (CE) to a logical "1" level.

Features

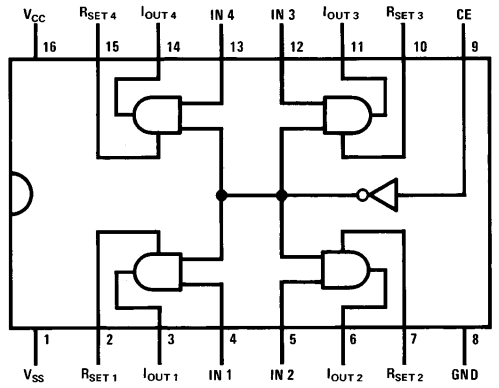
- Low voltage operation
- Low input current for MOS compatibility
- Low standby power
- Display blanking capability
- Output current regulation
- Quad high gain circuits

Schematic and Connection Diagrams



TL/F/7561-1

Dual-In-Line Package



TL/F/7561-2

Order Number DS55493J, DS75493J
or DS75493N
See NS Package Number J16A or N16A

Truth Table

CE	V _{IN}	I _{OUT}
0	1	ON
0	0	OFF
1	X	OFF

X = Don't care

Absolute Maximum Ratings (Note 1)

If Military/Aerospace specified devices are required, please contact the National Semiconductor Sales Office/Distributors for availability and specifications.

Supply Voltage	10V
Input Voltage	10V
Output Voltage	V_{CC}
Storage Temperature Range	-65°C to +150°C
Output Current (I_{OUT})	-25 mA
Maximum Power Dissipation* at 25°C	
Cavity Package	1371 mW
Molded Package	1280 mW
Lead Temperature (Soldering, 4 seconds)	260°C

*Derate cavity package 9.14 mW/°C above 25°C; derate molded package 10.24 mW/°C above 25°C.

Operating Conditions

	Min	Max	Units
Supply Voltage			
V_{CC}	3.2	8.8	V
V_{SS}	6.5	8.8	V
Temperature T_A			
DS75493	0	+70	°C
DS55493	-55	+125	°C

Electrical Characteristics ($V_{SS} \geq V_{CC}$) (Notes 2 and 3)

Symbol	Parameter	Conditions	Min	Typ	Max	Units	
I_{IN}	Input Current	$V_{SS} = \text{Max}, V_{IN} = 8.8V, V_{CC} = \text{Open}, V_{CE} = 0V$			3.2	mA	
		$I_{OUT} = R_{SET} @ 0V, V_{CE} = 8.8V$			3.6	mA	
I_{CE}	Chip Enable Input Current	$V_{CC} = \text{Max}, V_{SS} = \text{Max}, V_{CE} = 8.8V$, All Other Pins to GND			2.1	mA	
I_{OUT}	Output Current	$I_{OUT} @ 2.15V, R_L = 50\Omega$	$V_{CC} = \text{Min}, V_{SS} = 6.5V,$ $I_{CE} = 80 \mu A, V_{IN} = 6.5V$ Through 1.0 k Ω	-8	-13		mA
			$V_{CE} = 0V, V_{IN} = 8.8V$		-16	-20	mA
I_{OL}	Output Leakage Current	$I_{OUT} = R_{SET} @ 0V$, Measure Current to Gnd, $V_{SS} = 8.8V$	$V_{CC} = \text{Min}, V_{CE} = 0V$ $V_{IN} = 8.8V$ Through 100 k Ω			-200	μA
			$V_{CE} = 6.5V$ Though 1.0 k $\Omega, V_{IN} = 8.8V$			-100	μA
I_{CC}	Supply Current, V_{CC}	$V_{CC} = \text{Max}, V_{SS} = \text{Max}$, All Other Pins to Gnd			40	μA	
I_{SS}	Supply Current	$V_{CC} = 0V$, All Other Pins to Gnd			40	μA	
		$V_{CC} = \text{Min}, V_{SS} = 8.8V$	$I_{OUT} @ 2.15V, V_{CE} = 8.8V$ Through 100 k Ω , $R_L = 50\Omega$		0.5	1.5	mA
		$I_{OUT} = \text{Open}, R_{SET} = \text{Open},$ $V_{CE} = 0V$				1.4	mA

Switching Characteristics $T_A = 25^\circ C$, nominal power supplies unless otherwise noted

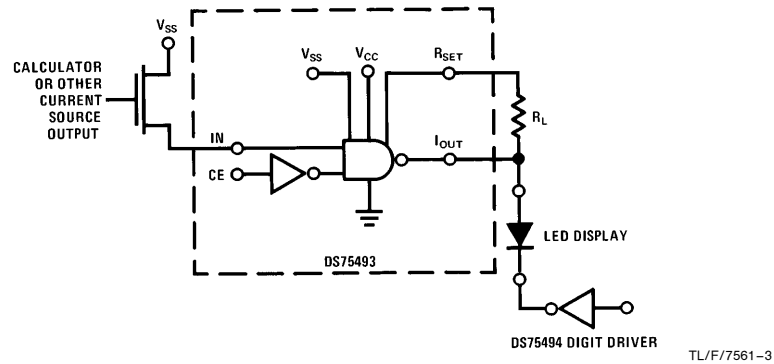
Symbol	Parameter	Conditions	Min	Typ	Max	Units
$t_{pd(OFF)}$	Propagation Delay to a Logical "0" From Input to Output	(See AC Test Circuit)		170	300	ns
$t_{pd(ON)}$	Propagation Delay to a Logical "1" From Input to Output	(See AC Test Circuit)		11	100	ns

Note 1: "Absolute Maximum Ratings" are those values beyond which the safety of the device cannot be guaranteed. They are not meant to imply that the devices should be operated at these limits. The table of "Electrical Characteristics" provides conditions for actual device operation.

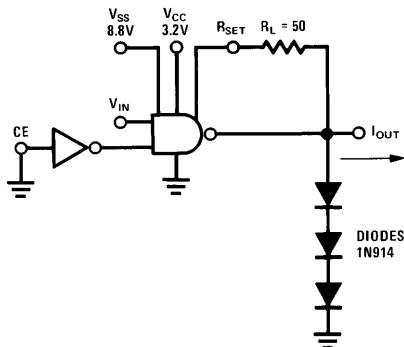
Note 2: Unless otherwise specified min/max limits apply across the 0°C to +70°C range for the DS75493 and across the -55°C to +125°C range for the DS55493.

Note 3: All currents into device pins shown as positive, out of device pins as negative, all voltages referenced to ground unless otherwise noted. All values shown as max or min on absolute value basis.

Typical Applications

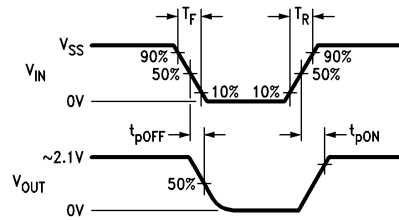


AC Test Circuit



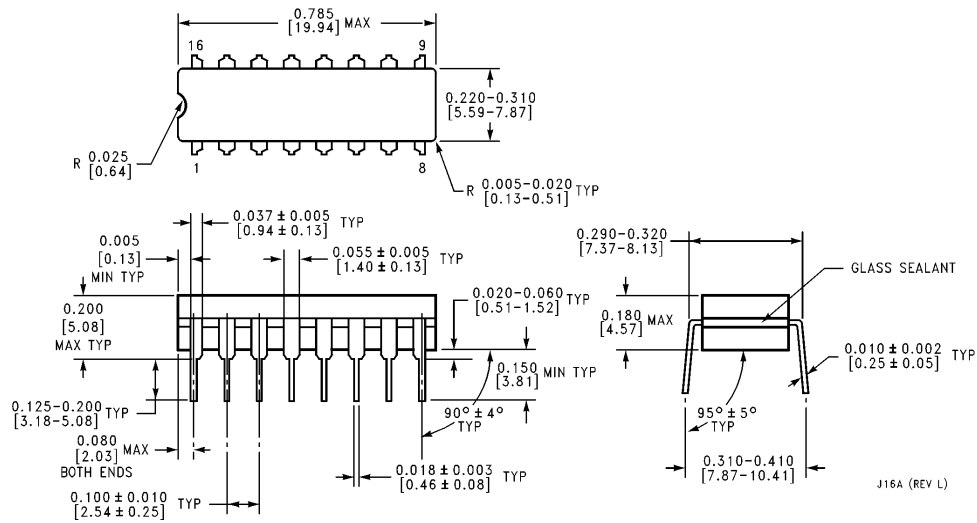
TL/F/7561-4

Switching Time Waveforms



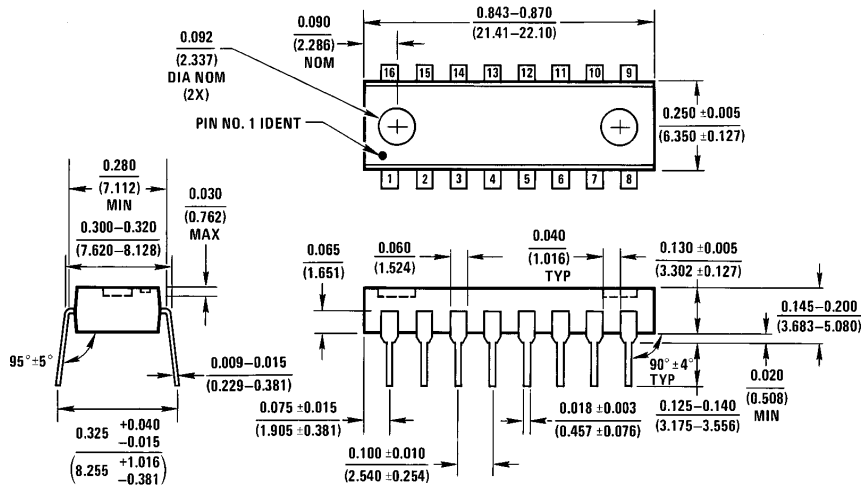
TL/F/7561-5

Physical Dimensions inches (millimeters)



Order Number DS55493J, DS75493J
NS Package Number J16A

Physical Dimensions inches (millimeters) (Continued)



Order Number DS75493N
See NS Package Number N16A

N16A (REV E)

LIFE SUPPORT POLICY

NATIONAL'S PRODUCTS ARE NOT AUTHORIZED FOR USE AS CRITICAL COMPONENTS IN LIFE SUPPORT DEVICES OR SYSTEMS WITHOUT THE EXPRESS WRITTEN APPROVAL OF THE PRESIDENT OF NATIONAL SEMICONDUCTOR CORPORATION. As used herein:

1. Life support devices or systems are devices or systems which, (a) are intended for surgical implant into the body, or (b) support or sustain life, and whose failure to perform, when properly used in accordance with instructions for use provided in the labeling, can be reasonably expected to result in a significant injury to the user.
2. A critical component is any component of a life support device or system whose failure to perform can be reasonably expected to cause the failure of the life support device or system, or to affect its safety or effectiveness.



National Semiconductor Corporation
1111 West Bardin Road
Arlington, TX 76017
Tel: 1(800) 272-9959
Fax: 1(800) 737-7018

National Semiconductor Europe
Fax: (+49) 0-180-530 85 86
Email: cnjwge@tevm2.nsc.com
Deutsch Tel: (+49) 0-180-530 85 85
English Tel: (+49) 0-180-532 78 32
Français Tel: (+49) 0-180-532 93 58
Italiano Tel: (+49) 0-180-534 16 80

National Semiconductor Hong Kong Ltd.
19th Floor, Straight Block,
Ocean Centre, 5 Canton Rd.
Tsimshatsui, Kowloon
Hong Kong
Tel: (852) 2737-1600
Fax: (852) 2736-9960

National Semiconductor Japan Ltd.
Tel: 81-043-299-2309
Fax: 81-043-299-2408

National does not assume any responsibility for use of any circuitry described, no circuit patent licenses are implied and National reserves the right at any time without notice to change said circuitry and specifications.

This datasheet has been downloaded from:

www.DatasheetCatalog.com

Datasheets for electronic components.

National Semiconductor was acquired by Texas Instruments.

http://www.ti.com/corp/docs/investor_relations/pr_09_23_2011_national_semiconductor.html

This file is the datasheet for the following electronic components:

DS55493J - <http://www.ti.com/product/ds55493j?HQS=TI-null-null-dscatalog-df-pf-null-ww>

DS75493N - <http://www.ti.com/product/ds75493n?HQS=TI-null-null-dscatalog-df-pf-null-ww>

DS75493J - <http://www.ti.com/product/ds75493j?HQS=TI-null-null-dscatalog-df-pf-null-ww>



LittleDiode supplies new, hard to find or obsolete electronic components and semiconductors all over the world.

With over two million different components listed you are sure to find the part you need.

Feel free to visit us today at our online store:

LittleDiode.com

Looking forward to providing you with the best possible service.