

# INA117

## High Common-Mode Voltage DIFFERENCE AMPLIFIER

### FEATURES

- COMMON-MODE INPUT RANGE:  
 $\pm 200\text{V}$  ( $V_S = \pm 15\text{V}$ )
- PROTECTED INPUTS:  
 $\pm 500\text{V}$  Common-Mode  
 $\pm 500\text{V}$  Differential
- UNITY GAIN: 0.02% Gain Error max
- NONLINEARITY: 0.001% max
- CMRR: 86dB min

### APPLICATIONS

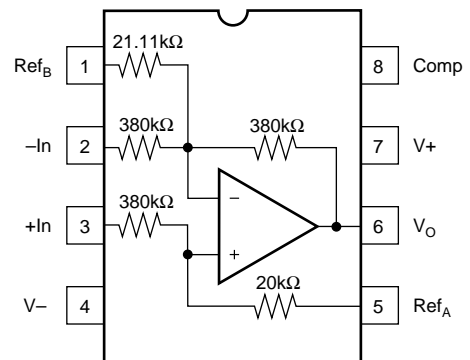
- CURRENT MONITOR
- BATTERY CELL-VOLTAGE MONITOR
- GROUND BREAKER
- INPUT PROTECTION
- SIGNAL ACQUISITION IN NOISY ENVIRONMENTS
- FACTORY AUTOMATION

### DESCRIPTION

The INA117 is a precision unity-gain difference amplifier with very high common-mode input voltage range. It is a single monolithic IC consisting of a precision op amp and integrated thin-film resistor network. It can accurately measure small differential voltages in the presence of common-mode signals up to  $\pm 200\text{V}$ . The INA117 inputs are protected from momentary common-mode or differential overloads up to  $\pm 500\text{V}$ .

In many applications, where galvanic isolation is not essential, the INA117 can replace isolation amplifiers. This can eliminate costly isolated input-side power supplies and their associated ripple, noise and quiescent current. The INA117's 0.001% nonlinearity and 200kHz bandwidth are superior to those of conventional isolation amplifiers.

The INA117 is available in 8-pin plastic mini-DIP and SO-8 surface-mount packages, specified for the  $-40^\circ\text{C}$  to  $+85^\circ\text{C}$  temperature range. The metal TO-99 models are available specified for the  $-40^\circ\text{C}$  to  $+85^\circ\text{C}$  and  $-55^\circ\text{C}$  to  $+125^\circ\text{C}$  temperature range.



# SPECIFICATIONS

## ELECTRICAL

At  $T_A = +25^\circ\text{C}$ ,  $V_S = \pm 15\text{V}$ , unless otherwise noted.

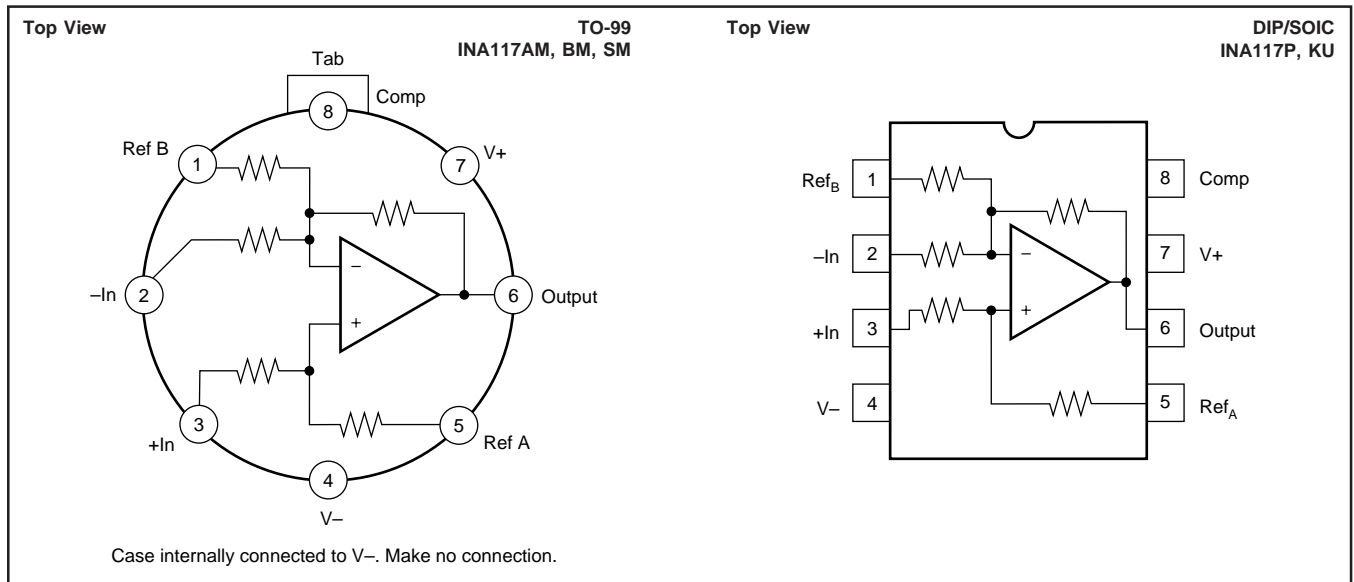
| PARAMETER   | CONDITIONS   | INA117AM, SM |          |          | INA117BM |     |      | INA117P, KU |     |      | UNITS                                      |                              |
|---|--|--------------|----------|----------|----------|-----|------|-------------|-----|------|--|------------------------------|
|   |  | MIN          | TYP      | MAX      | MIN      | TYP | MAX  | MIN         | TYP | MAX  |  |                              |
| <b>GAIN</b><br>Initial <sup>(1)</sup><br>Error<br>vs Temperature<br>Nonlinearity <sup>(2)</sup>   |  |              | 1        |          |          | *   |      |             | *   |      | V/V  |                              |
|   |  |              | 0.01     | 0.05     |          | *   | 0.02 |             | *   | *    | %  |                              |
|   |  |              | 2        | 10       |          | *   | *    |             | *   | *    | ppm/°C                                     |                              |
|   |  |              | 0.0002   | 0.001    |          | *   | *    |             | *   | *    | %  |                              |
| <b>OUTPUT</b><br>Rated Voltage<br>Rated Current<br>Impedance<br>Current Limit<br>Capacitive Load  | $I_O = +20\text{mA}, -5\text{mA}$<br>$V_O = 10\text{V}$<br><br>To Common<br>Stable Operation   | 10           | 12       |          | *        | *   |      | *           | *   |      | V  |                              |
|   |  | +20, -5      |          |          | *        |     |      | *           |     |      | mA   |                              |
|   |  |              | 0.01     |          |          | *   | *    |             | *   | *    |  | $\Omega$                     |
|   |  |              | +49, -13 |          |          | *   | *    |             | *   | *    |  | mA                           |
|   |  |              | 1000     |          |          | *   | *    |             | *   | *    |  | pF                           |
| <b>INPUT</b><br>Impedance<br><br>Voltage Range<br><br>Common-Mode Rejection <sup>(3)</sup><br>DC<br>AC, 60Hz<br>vs Temperature, DC<br>AM, BM, P, KU<br>SM | Differential<br>Common-Mode<br>Differential<br>Common-Mode, Continuous<br><br>$V_{CM} = 400\text{Vp-p}$<br>$T_A = T_{MIN} \text{ to } T_{MAX}$ |              | 800      |          |          | *   |      |             | *   |      | k $\Omega$                                 |                              |
|   |  |              |          | 400      |          |     | *    |             |     | *    |  | k $\Omega$                   |
|   |  | $\pm 10$     |          |          |          |     | *    |             |     | *    |  | V                            |
|   |  | $\pm 200$    |          |          |          | *   |      |             | *   |      |  | V                            |
|   |  | 70           | 80       |          | 86       | 94  |      | *           | *   |      |  | dB                           |
|   |  | 66           | 80       |          | 66       | 94  |      | *           | *   |      |  | dB                           |
|   |  | 66           | 75       |          | 80       | 90  |      |             | *   |      |  | dB                           |
| 60  | 75   |              |          |          |          |     |      |             |     | dB   |  |                              |
| <b>OFFSET VOLTAGE</b><br>Initial<br>KU Grade (SO-8 Package)<br>vs Temperature<br>vs Supply<br>vs Time   | RTO <sup>(4)</sup><br><br>$T_A = T_{MIN} \text{ to } T_{MAX}$<br>$V_S = \pm 5\text{V to } \pm 18\text{V}$                                      |              | 120      | 1000     |          | *   | 1000 |             | *   | *    | $\mu\text{V}$                              |                              |
|   |  |              |          | 8.5      | 40       |     | *    | 20          |     | *    | *  | $\mu\text{V}/^\circ\text{C}$ |
|   |  | 74           | 90       |          | 80       | *   | *    | *           | *   | *    | dB   |                              |
|   |  |              | 200      |          |          | *   | *    |             | *   | *    |  | $\mu\text{V}/\text{mo}$      |
| <b>OUTPUT NOISE VOLTAGE</b><br>$f_B = 0.01\text{Hz to } 10\text{Hz}$<br>$f_B = 10\text{kHz}$  | RTO <sup>(5)</sup>   |              | 25       |          |          | *   |      |             | *   |      | —  |                              |
|   |  |              | 550      |          |          | *   |      |             | *   |      | $\mu\text{Vp-p}$<br>nV/ $\sqrt{\text{Hz}}$ |                              |
| <b>DYNAMIC RESPONSE</b><br>Gain Bandwidth, -3dB<br>Full Power Bandwidth<br>Slew Rate<br>Settling Time: 0.1%<br>0.01%<br>0.01%                             | $V_O = 20\text{Vp-p}$<br><br>$V_O = 10\text{V Step}$<br>$V_O = 10\text{V Step}$<br>$V_{CM} = 10\text{V Step}, V_{DIFF} = 0\text{V}$            | 30           | 200      |          | *        | *   |      | *           | *   |      | kHz  |                              |
|   |  | 2            | 2.6      |          | *        | *   |      | *           | *   |      | kHz  |                              |
|   |  |              | 6.5      |          |          | *   | *    |             | *   | *    |  | V/ $\mu\text{s}$             |
|   |  |              | 10       |          |          | *   | *    |             | *   | *    |  | $\mu\text{s}$                |
|   |  |              | 4.5      |          |          | *   | *    |             | *   | *    |  | $\mu\text{s}$                |
| <b>POWER SUPPLY</b><br>Rated<br>Voltage Range<br>Quiescent Current  | Derated Performance<br>$V_O = 0\text{V}$   | $\pm 5$      | $\pm 15$ |          | *        | *   |      | *           | *   |      | V  |                              |
|   |  |              |          | $\pm 18$ | *        | *   | *    | *           | *   | *    | V  |                              |
|   |  |              | 1.5      | 2        | *        | *   | *    | *           | *   | *    | mA   |                              |
| <b>TEMPERATURE RANGE</b><br>Specification: AM, BM, P, KU<br>SM<br>Operation<br>Storage  |  | -25          |          | +85      | *        |     | *    | -40         |     | +85  | °C   |                              |
|   |  | -55          |          | +125     | *        |     | *    |             |     |      | °C   |                              |
|   |  | -55          |          | +125     | *        |     | *    | -40         |     | +85  | °C   |                              |
|   |  | -65          |          | +150     | *        |     | *    | -55         |     | +125 | °C   |                              |

\*Specification same as for INA117AM.

NOTES: (1) Connected as difference amplifier (see Figure 1). (2) Nonlinearity is the maximum peak deviation from the best-fit straight line as a percent of full-scale peak-to-peak output. (3) With zero source impedance (see discussion of common-mode rejection in Application Information section). (4) Includes effects of amplifier's input bias and offset currents. (5) Includes effects of amplifier's input current noise and thermal noise contribution of resistor network.

The information provided herein is believed to be reliable; however, BURR-BROWN assumes no responsibility for inaccuracies or omissions. BURR-BROWN assumes no responsibility for the use of this information, and all use of such information shall be entirely at the user's own risk. Prices and specifications are subject to change without notice. No patent rights or licenses to any of the circuits described herein are implied or granted to any third party. BURR-BROWN does not authorize or warrant any BURR-BROWN product for use in life support devices and/or systems.

## PIN CONFIGURATION



## ABSOLUTE MAXIMUM RATINGS

|   |               |
|---|---------------|
| Supply Voltage .....                    | ±22V          |
| Input Voltage Range, Continuous .....   | ±200V         |
| Common-Mode and Differential, 10s ..... | ±500V         |
| Operating Temperature                   |               |
| M Metal TO-99 .....                     | -55 to +125°C |
| P Plastic DIP and U SO-8 .....          | -40 to +85°C  |
| Storage Temperature                     |               |
| M Package .....                         | -65 to +150°C |
| P Plastic DIP and U SO-8 .....          | -55 to +125°C |
| Lead Temperature (soldering, 10s) ..... | +300°C        |
| Output Short Circuit to Common .....    | Continuous    |



## ELECTROSTATIC DISCHARGE SENSITIVITY

This integrated circuit can be damaged by ESD. Burr-Brown recommends that all integrated circuits be handled with appropriate precautions. Failure to observe proper handling and installation procedures can cause damage.

ESD damage can range from subtle performance degradation to complete device failure. Precision integrated circuits may be more susceptible to damage because very small parametric changes could cause the device not to meet its published specifications.

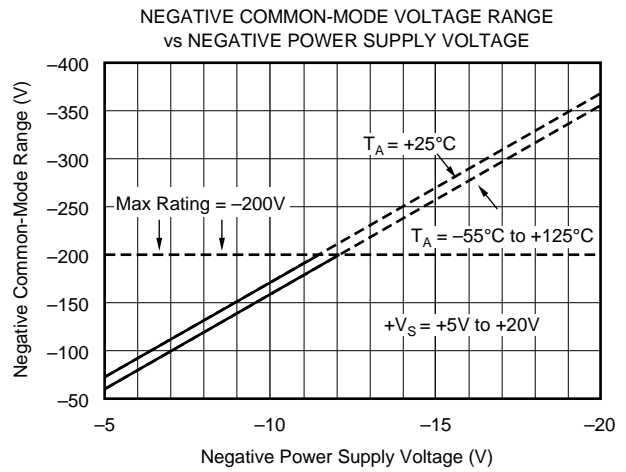
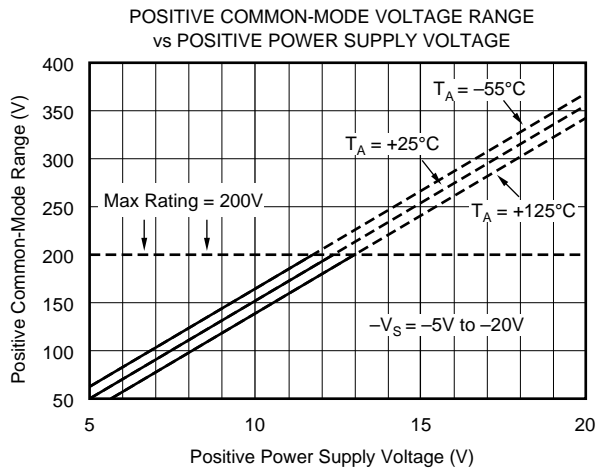
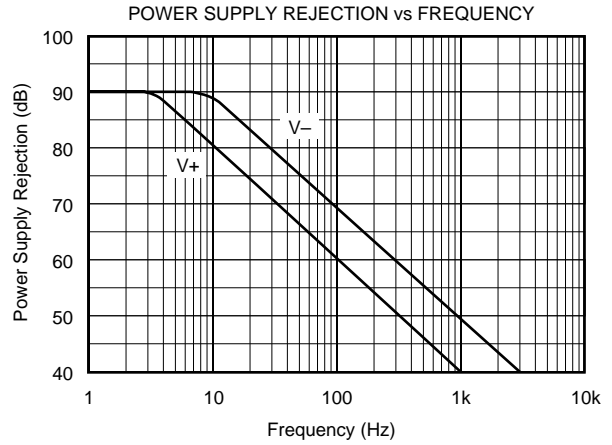
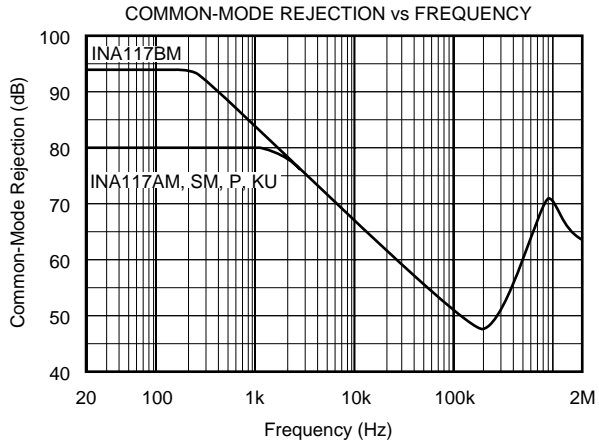
## PACKAGE/ORDERING INFORMATION

| PRODUCT  | PACKAGE            | PACKAGE DRAWING NUMBER <sup>(1)</sup> | SPECIFIED TEMPERATURE RANGE | PACKAGE MARKING | ORDERING NUMBER <sup>(2)</sup> | TRANSPORT MEDIA |
|----------|--------------------|---------------------------------------|-----------------------------|-----------------|--------------------------------|-----------------|
| INA117P  | 8-Pin Plastic DIP  | 006                                   | -40°C to +85°C              |                 |                                |                 |
| INA117KU | SO-8 Surface-Mount | 182                                   | "                           |                 |                                |                 |
| INA117AM | TO-99 Metal        | 001                                   | -25°C to +85°C              |                 |                                |                 |
| INA117BM | "                  | "                                     | "                           |                 |                                |                 |
| INA117SM | "                  | "                                     | -55°C to +125°C             |                 |                                |                 |

NOTES: (1) For detailed drawing and dimension table, please see end of data sheet, or Appendix C of Burr-Brown IC Data Book. (2) Models with a slash (/) are available only in Tape and Reel in the quantities indicated (e.g., /2K5 indicates 2500 devices per reel). Ordering 2500 pieces of "INA117KU/2K5" will get a single 2500-piece Tape and Reel. For detailed Tape and Reel mechanical information, refer to Appendix B of Burr-Brown IC Data Book.

# TYPICAL PERFORMANCE CURVES

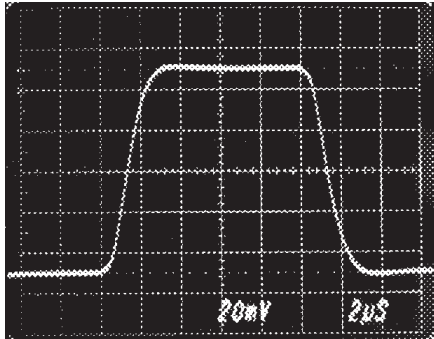
At  $T_A = +25^\circ\text{C}$ ,  $V_S = \pm 15\text{V}$ , unless otherwise noted.



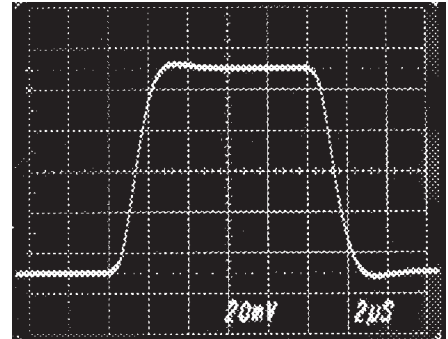
# TYPICAL PERFORMANCE CURVES (CONT)

At  $T_A = +25^\circ\text{C}$ ,  $V_S = \pm 15\text{V}$ , unless otherwise noted.

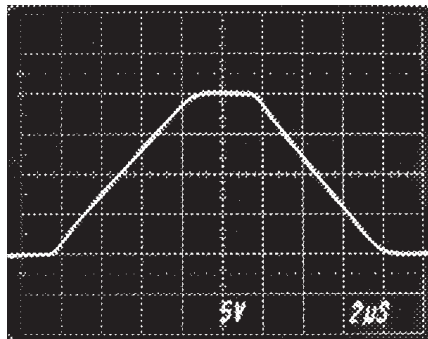
SMALL SIGNAL STEP RESPONSE  
 $C_L = 0$



SMALL SIGNAL STEP RESPONSE  
 $C_L = 1000\text{pF}$



LARGE SIGNAL STEP RESPONSE



# APPLICATION INFORMATION

Figure 1 shows the basic connections required for operation. Applications with noisy or high impedance power supply lines may require decoupling capacitors close to the device pins. The output voltage is equal to the differential input voltage between pins 2 and 3. The common mode input voltage is rejected.

Internal circuitry connected to the compensation pin 8 cancels the parasitic distributed capacitance between the feedback resistor,  $R_2$ , and the IC substrate. For specified dynamic performance, pin 8 should be grounded or connected through a  $0.1\mu\text{F}$  capacitor to an AC ground such as  $V_+$ .

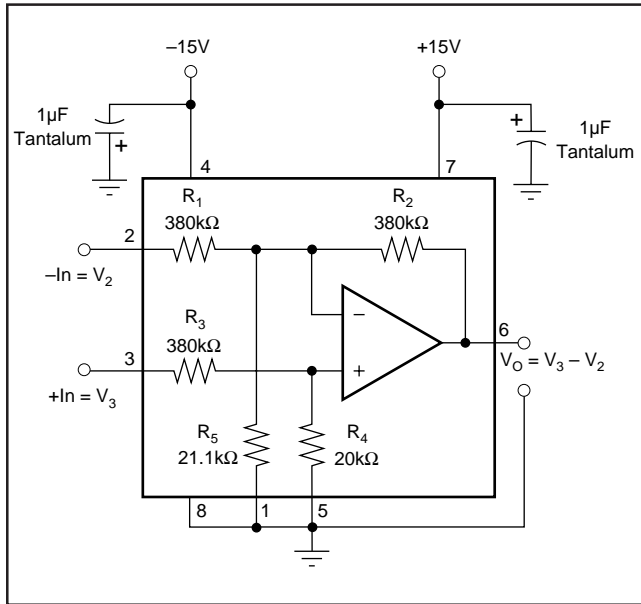


FIGURE 1. Basic Power and Signal Connections.

## COMMON-MODE REJECTION

Common-mode rejection (CMR) of the INA117 is dependent on the input resistor network, which is laser-trimmed for accurate ratio matching. To maintain high CMR, it is important to have low source impedances driving the two inputs. A  $75\Omega$  resistance in series with pin 2 or 3 will decrease CMR from 86dB to 72dB.

Resistance in series with the reference pins will also degrade CMR. A  $4\Omega$  resistance in series with pin 1 or 5 will decrease CMRR from 86dB to 72dB.

Most applications do not require trimming. Figures 2 and 3 show optional circuits that may be used for trimming offset voltage and common-mode rejection.

## TRANSFER FUNCTION

Most applications use the INA117 as a simple unity-gain difference amplifier. The transfer function is:

$$V_O = V_3 - V_2$$

$V_3$  and  $V_2$  are the voltages at pins 3 and 2.

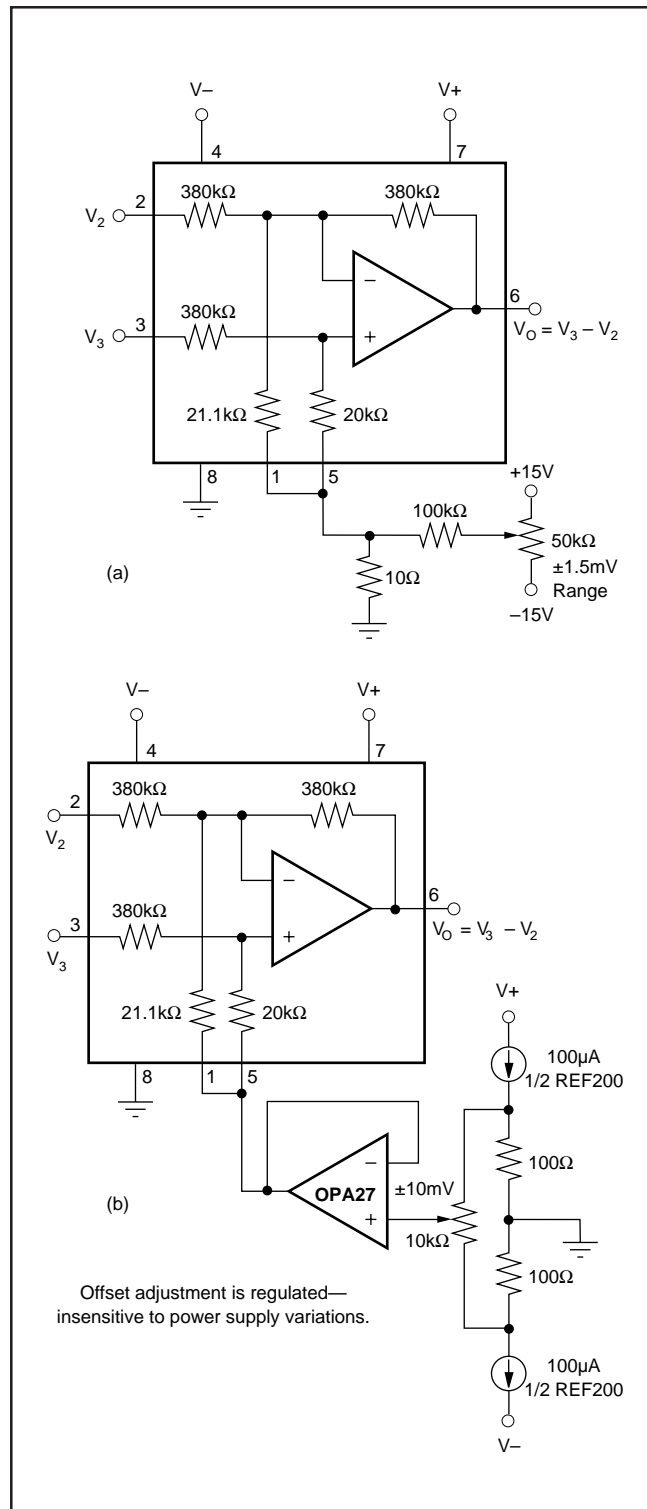


FIGURE 2. Offset Voltage Trim Circuits.

Some applications, however, apply voltages to the reference terminals (pins 1 and 5). A more complete transfer function is:

$$V_O = V_3 - V_2 + 19 \cdot V_5 - 18 \cdot V_1$$

$V_5$  and  $V_1$  are the voltages at pins 5 and 1.

## MEASURING CURRENT

The INA117 can be used to measure a current by sensing the voltage drop across a series resistor,  $R_S$ . Figure 4 shows the INA117 used to measure the supply currents of a device under test. The circuit in Figure 5 measures the output current of a power supply. If the power supply has a sense connection, it can be connected to the output side of  $R_S$  to eliminate the voltage-drop error. Another common application is current-to-voltage conversion as shown in Figure 6.

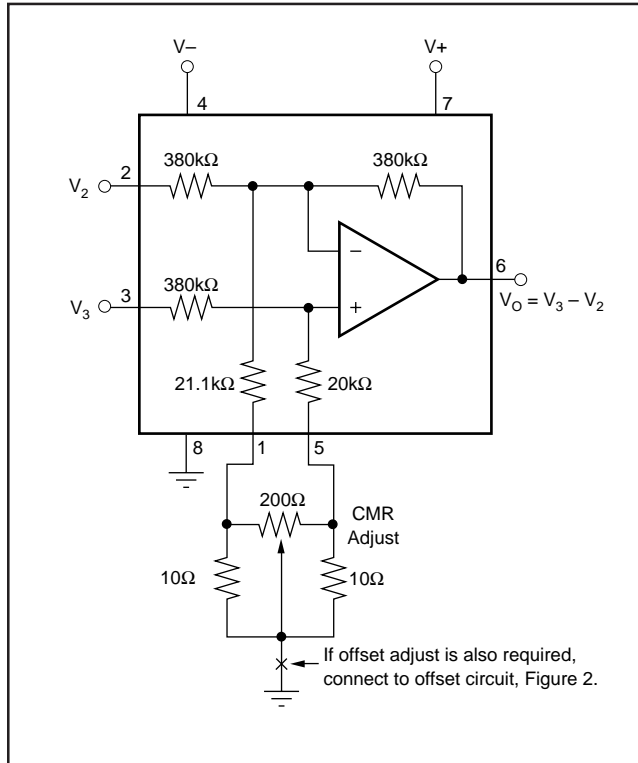


FIGURE 3. CMR Trim Circuit.

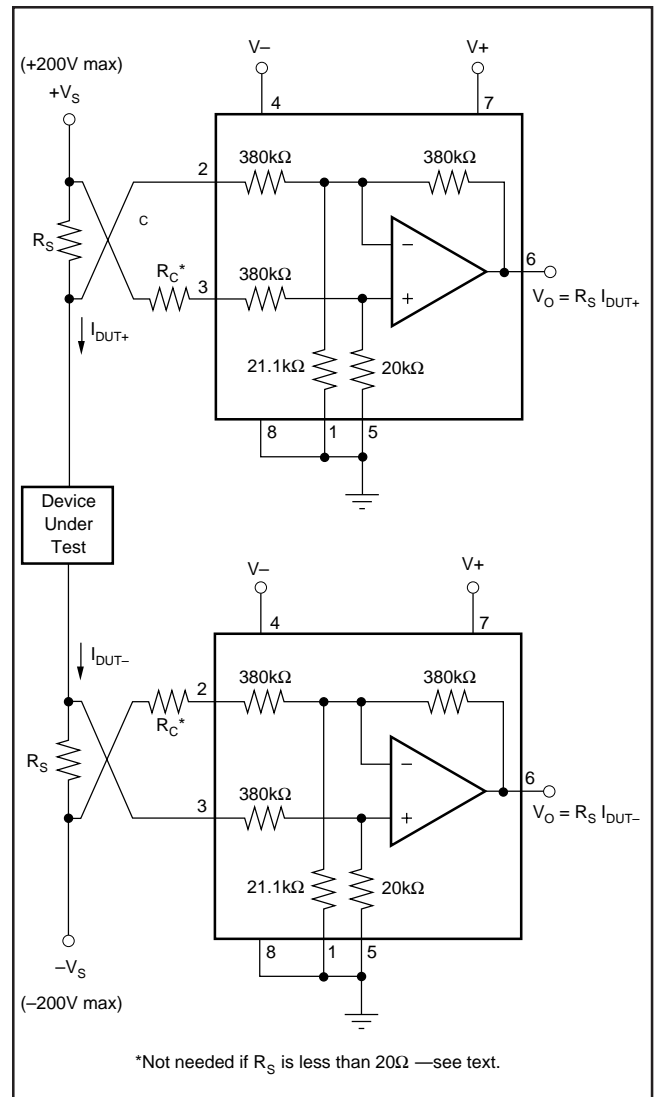


FIGURE 4. Measuring Supply Currents of Device Under Test.

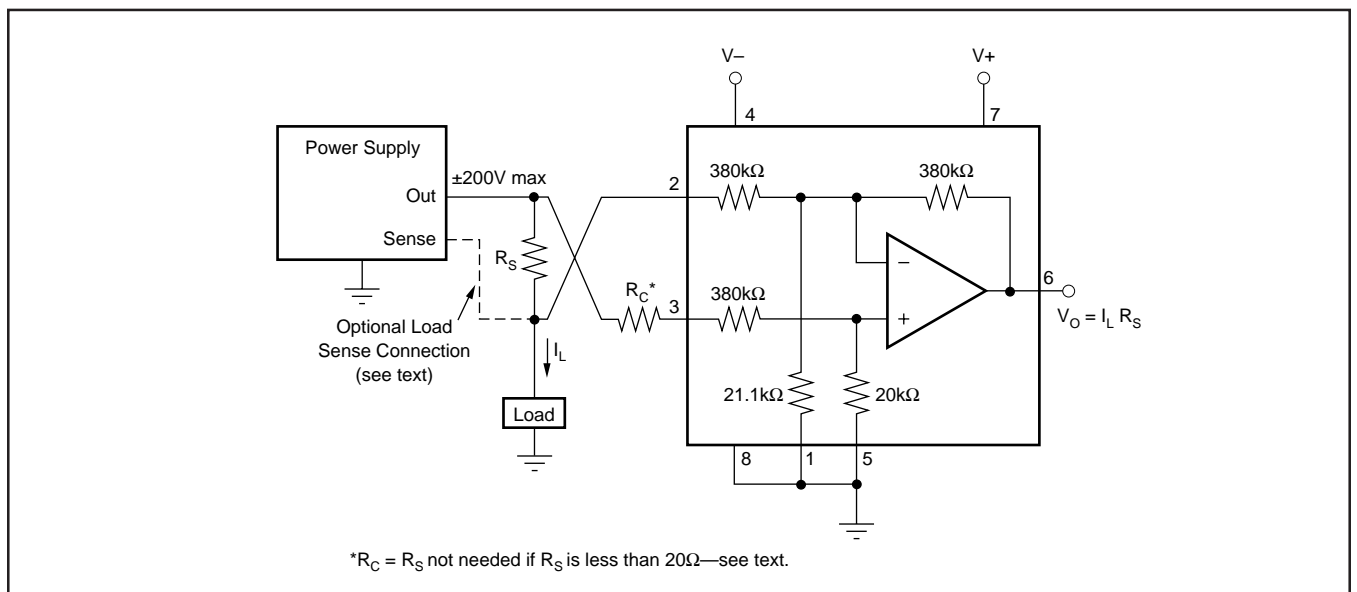


FIGURE 5. Measuring Power Supply Output Current.

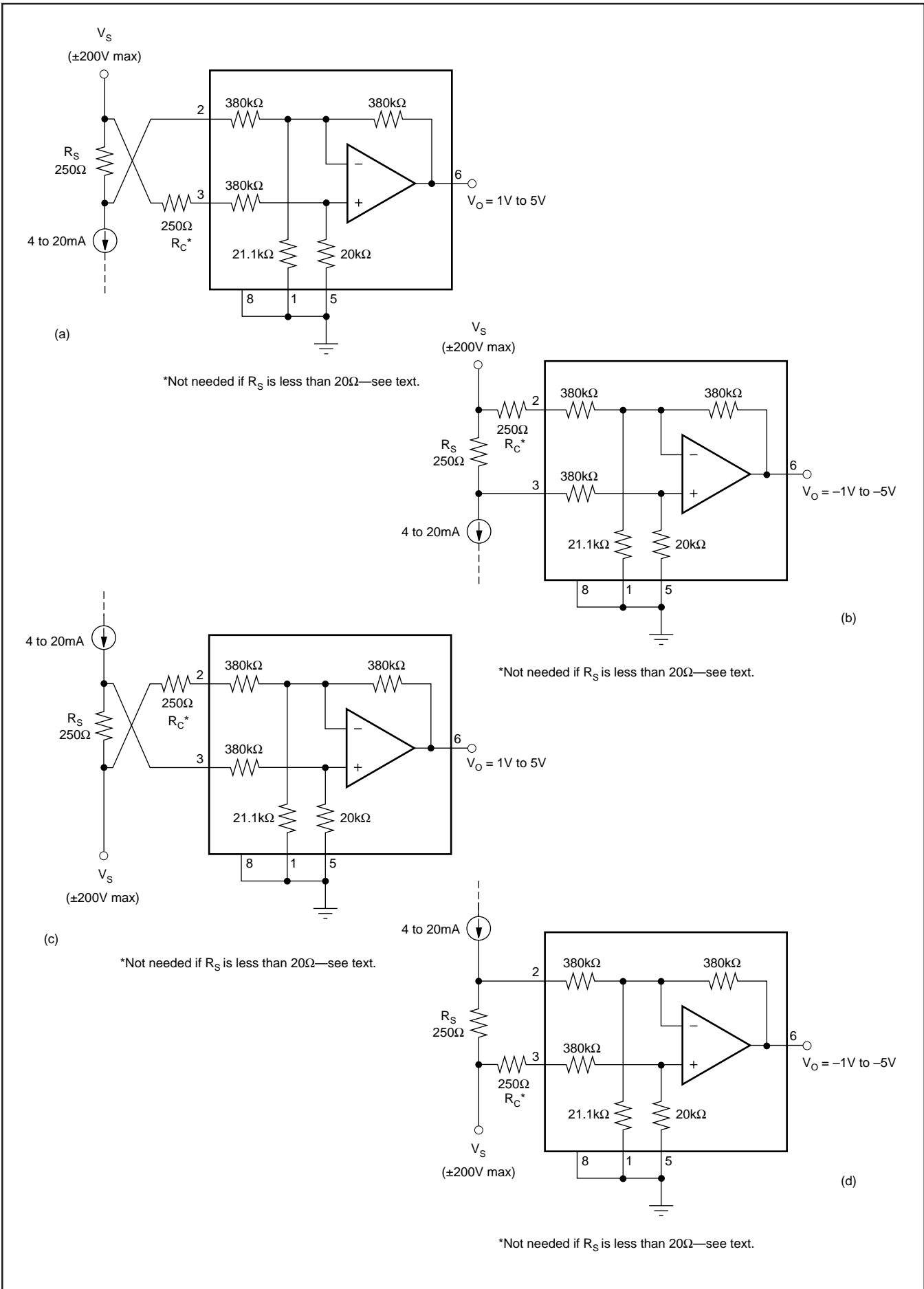


FIGURE 6. Current to Voltage Converter.

In all cases, the sense resistor imbalances the input resistor matching of the INA117, degrading its CMR. Also, the input impedance of the INA117 loads  $R_S$ , causing gain error in the voltage-to-current conversion. Both of these errors can be easily corrected.

The CMR error can be corrected with the addition of a compensation resistor,  $R_C$ , equal in value to  $R_S$  as shown in Figures 4, 5, and 6. If  $R_S$  is less than  $20\Omega$ , the degradation in CMR is negligible and  $R_C$  can be omitted. If  $R_S$  is larger than approximately  $2k\Omega$ , trimming  $R_C$  may be required to achieve greater than 86dB CMR. This is because the actual INA117 input impedances have 1% typical mismatch.

If  $R_S$  is more than approximately  $100\Omega$ , the gain error will be greater than the 0.02% specification of the INA117. This gain error can be corrected by slightly increasing the value of  $R_S$ . The corrected value,  $R_S'$ , can be calculated by—

$$R_S' = \frac{R_S \cdot 380k\Omega}{380k\Omega - R_S}$$

Example: For a 1V/mA transfer function, the nominal, uncorrected value for  $R_S$  would be  $1k\Omega$ . A slightly larger value,  $R_S' = 1002.6\Omega$ , compensates for the gain error due to loading.

The  $380k\Omega$  term in the equation for  $R_S'$  has a tolerance of  $\pm 25\%$ , so sense resistors above approximately  $400\Omega$  may require trimming to achieve gain accuracy better than 0.02%.

Of course, if a buffer amplifier is added as shown in Figure 7, both inputs see a low source impedance, and the sense resistor is not loaded. As a result, there is no gain error or CMR degradation. The buffer amplifier can operate as a unity gain buffer or as an amplifier with non-inverting gain. Gain added ahead of the INA117 improves both CMR and signal-to-noise. Added gain also allows a lower voltage drop across the sense resistor. The OPA1013 is a good choice for the buffer amplifier since both its input and output can swing close to its negative power supply.

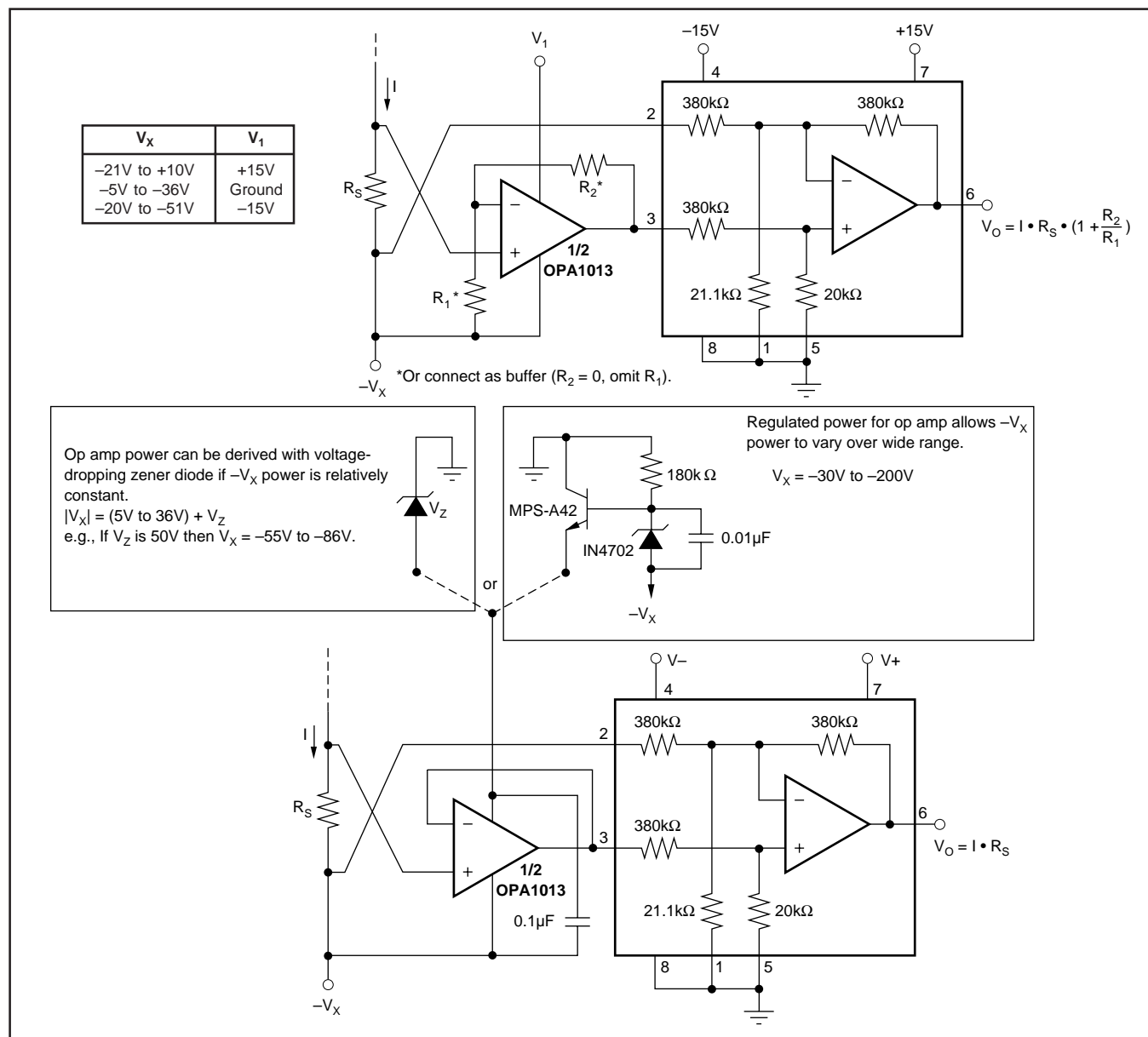


FIGURE 7. Current Sensing with Input Buffer.

Figure 8 shows very high input impedance buffer used to measure low leakage currents. Here, the buffer op amp is powered with an isolated, split-voltage power supply. Using an isolated power supply allows full  $\pm 200\text{V}$  common-mode input range.

### NOISE PERFORMANCE

The noise performance of the INA117 is dominated by the internal resistor network. The thermal or Johnson noise of

these resistors produces approximately  $550\text{nV}/\sqrt{\text{Hz}}$  noise. The internal op amp contributes virtually no excess noise at frequencies above 100Hz.

Many applications may be satisfied with less than the full 200kHz bandwidth of the INA117. In these cases, the noise can be reduced with a low-pass filter on the output. The two-pole filter shown in Figure 9 limits bandwidth to 1kHz and reduces noise by more than 15:1. Since the INA117 has a 1/f noise corner frequency of approximately 100Hz, a cutoff frequency below 100Hz will not further reduce noise.

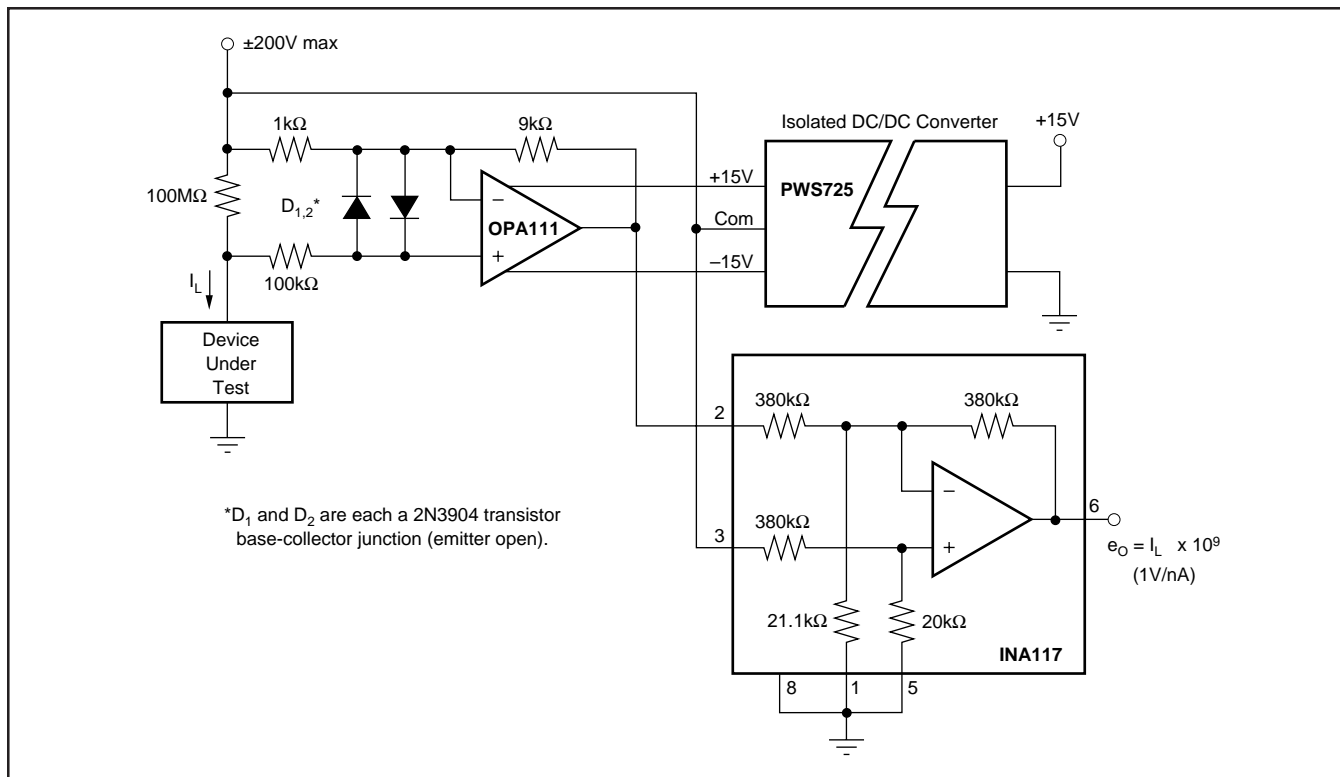


FIGURE 8. Leakage Current Measurement Circuit.

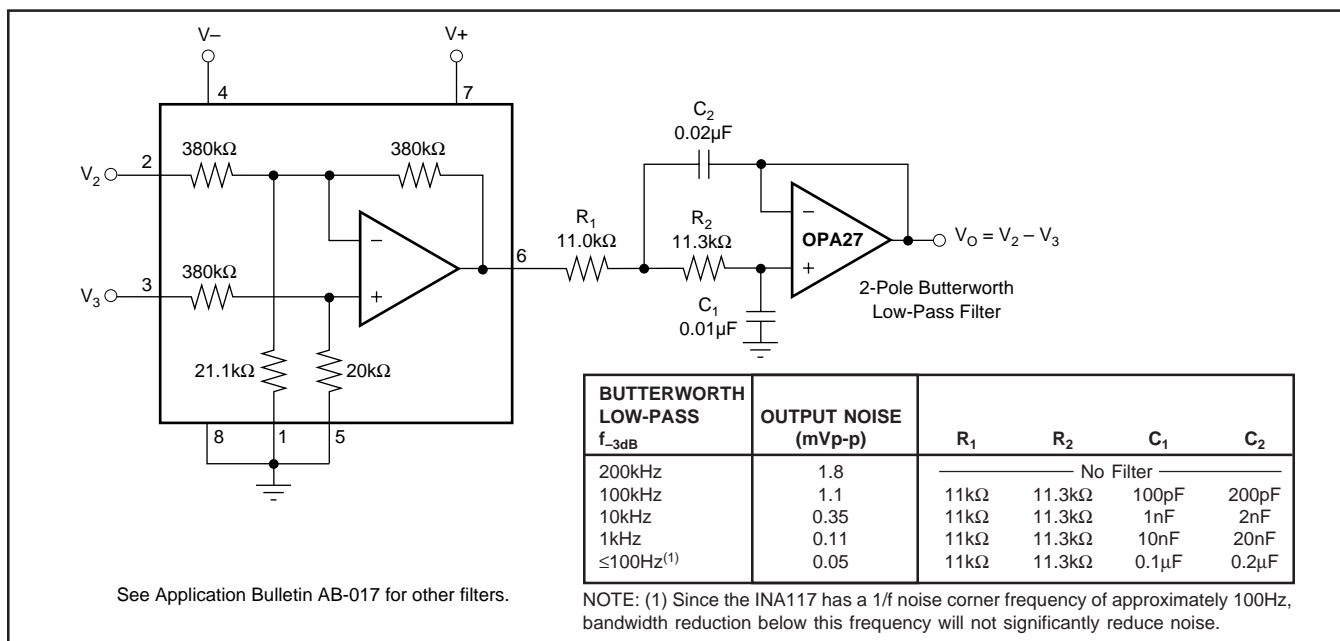


FIGURE 9. Output Filter for Noise Reduction.

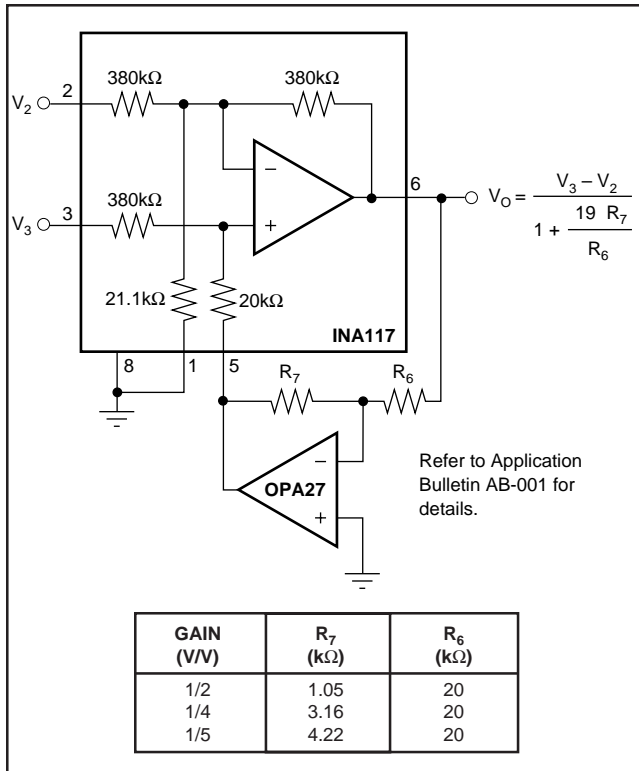


FIGURE 10. Reducing Differential Gain.

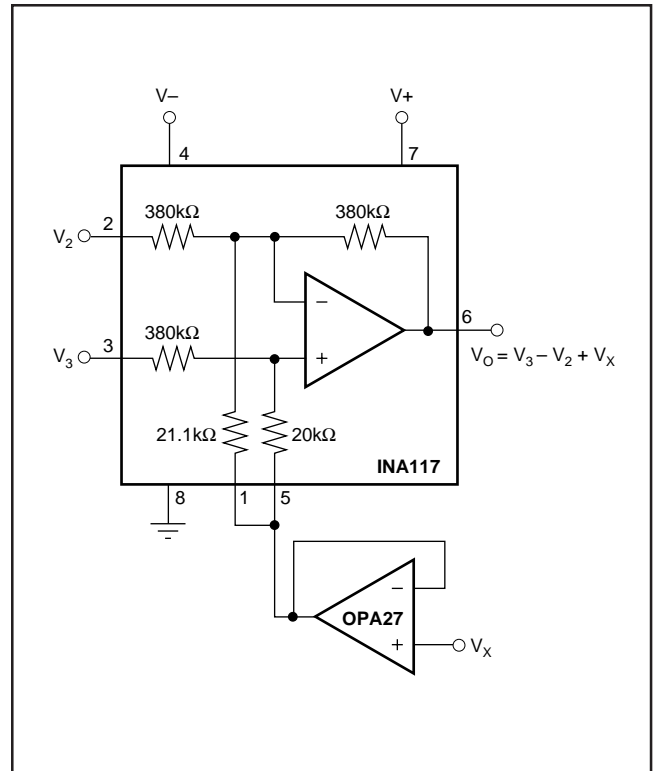


FIGURE 11. Summing  $V_X$  in Output.

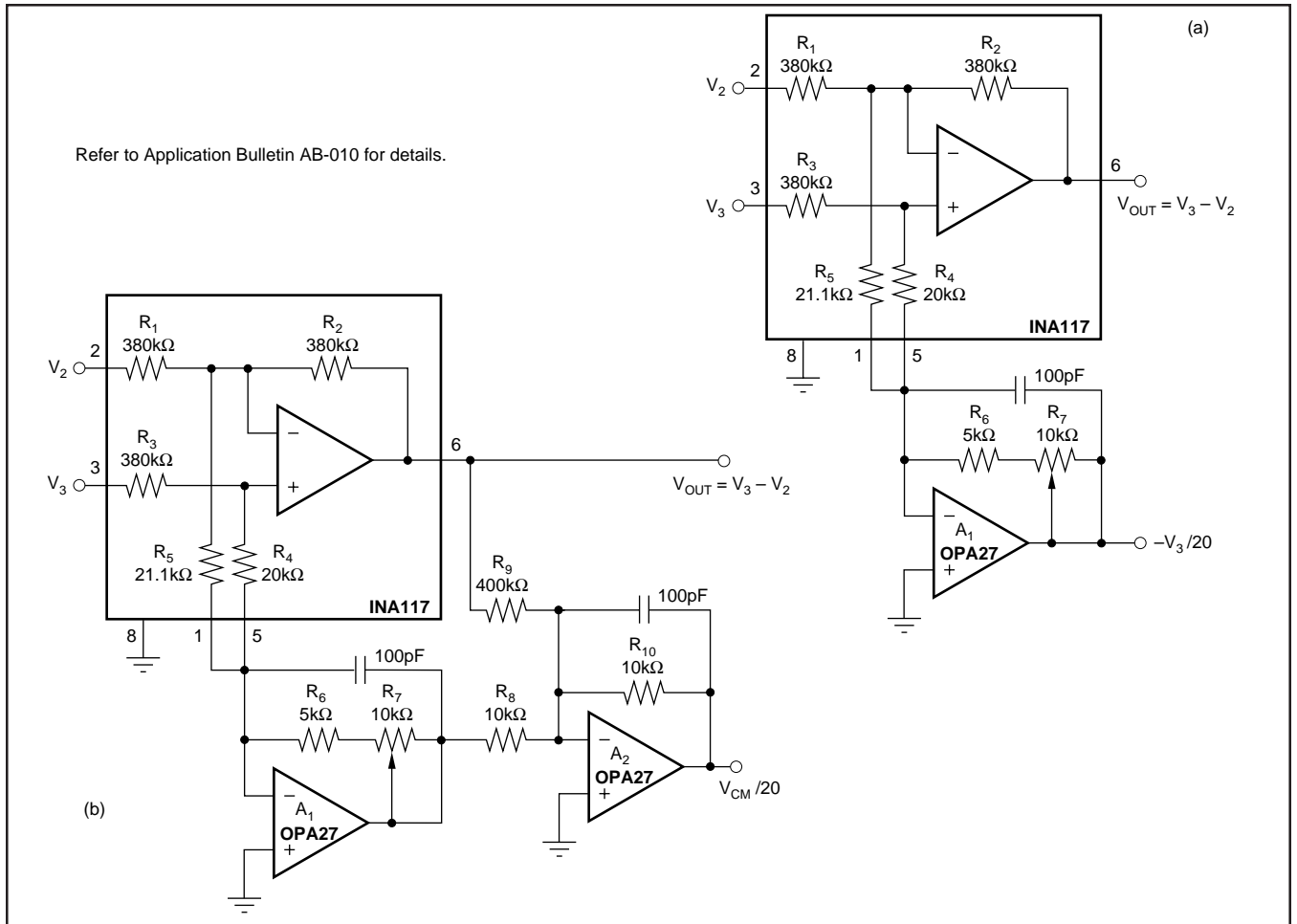


FIGURE 12. Common-Mode Voltage Monitoring.

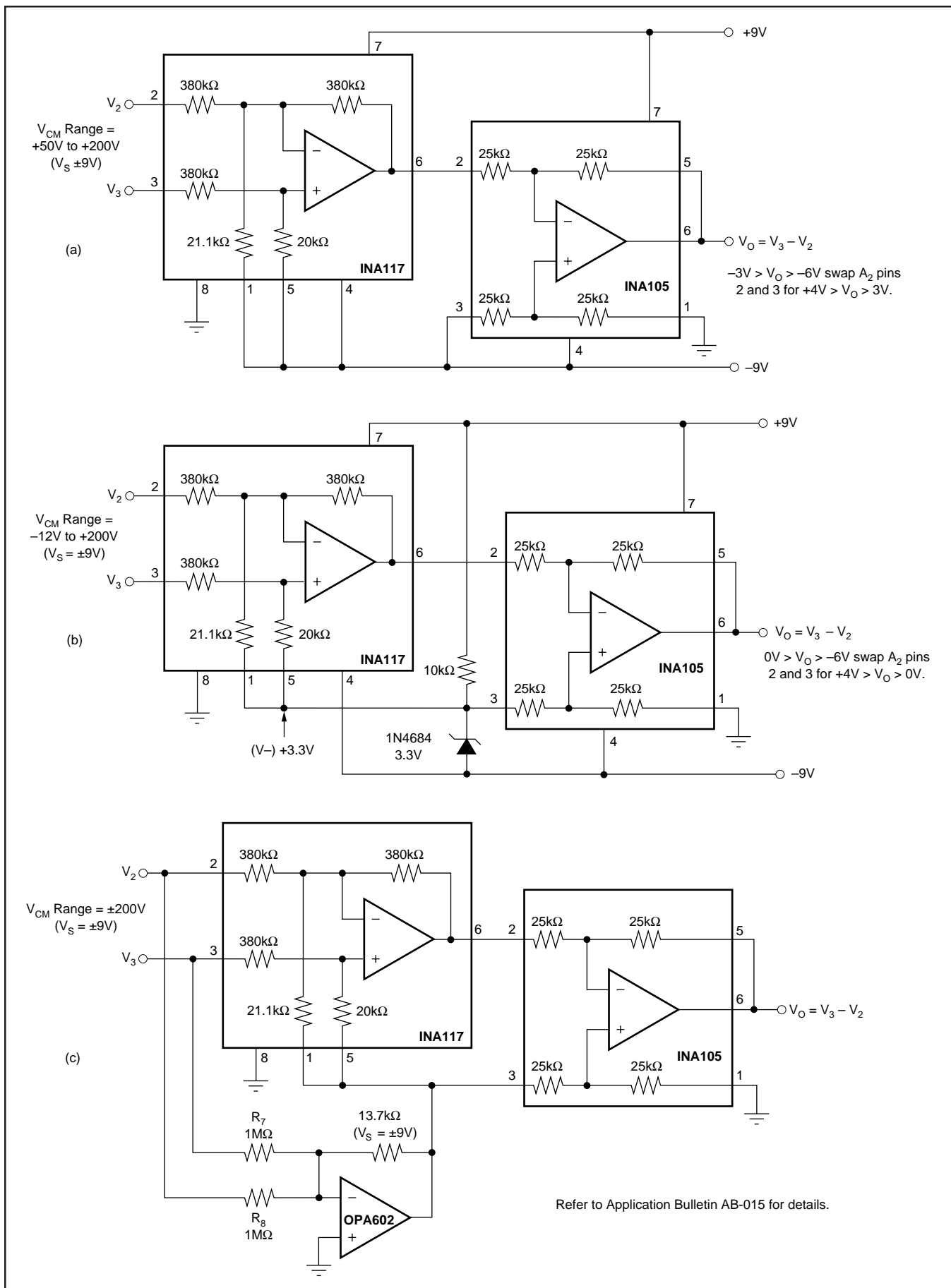


FIGURE 13. Offsetting or Boosting Common-Mode Voltage Range for Reduced Power Supply Voltage Operation.

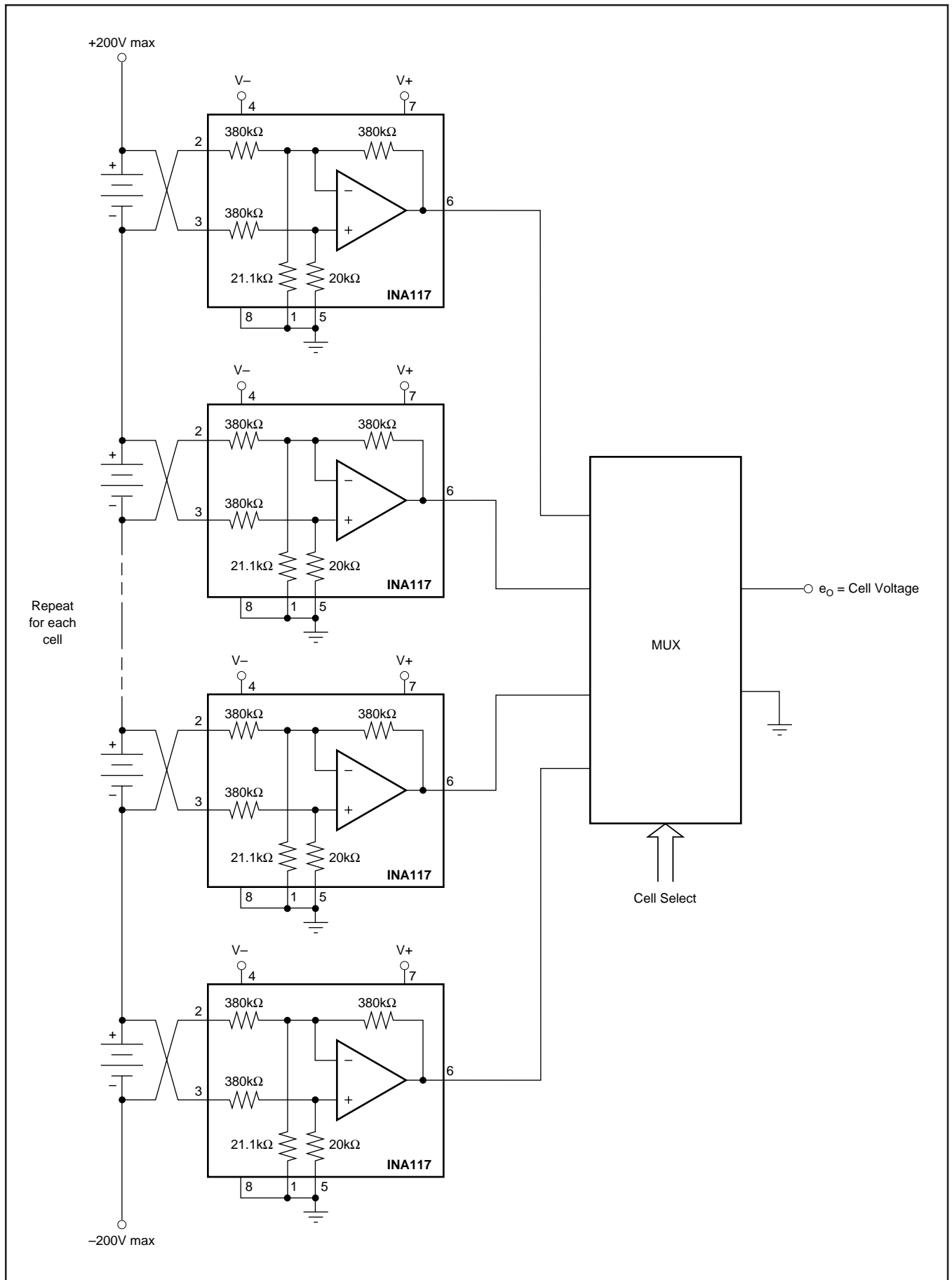


FIGURE 14. Battery Cell Voltage Monitor.

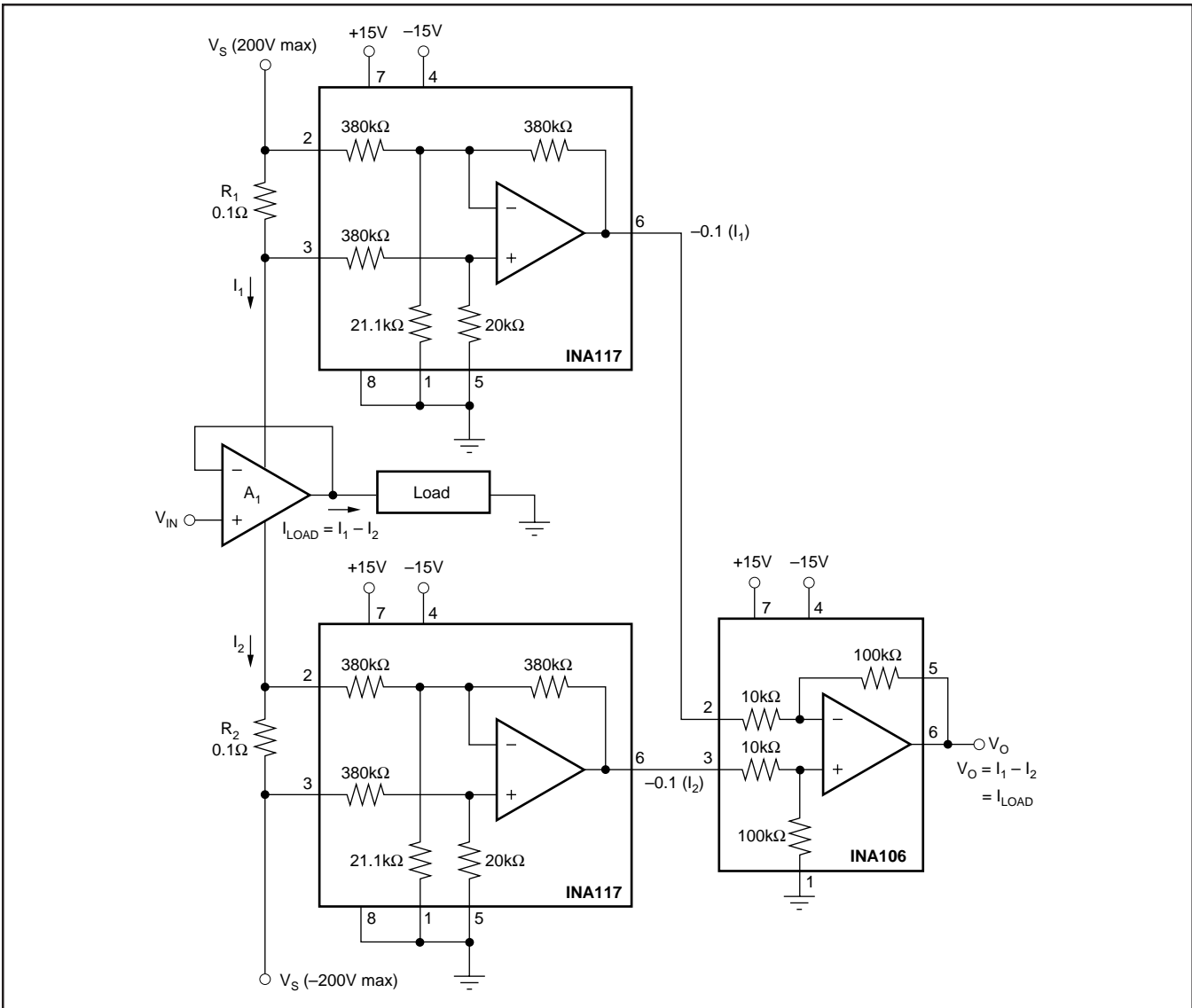


FIGURE 15. Measuring Amplifier Load Current.

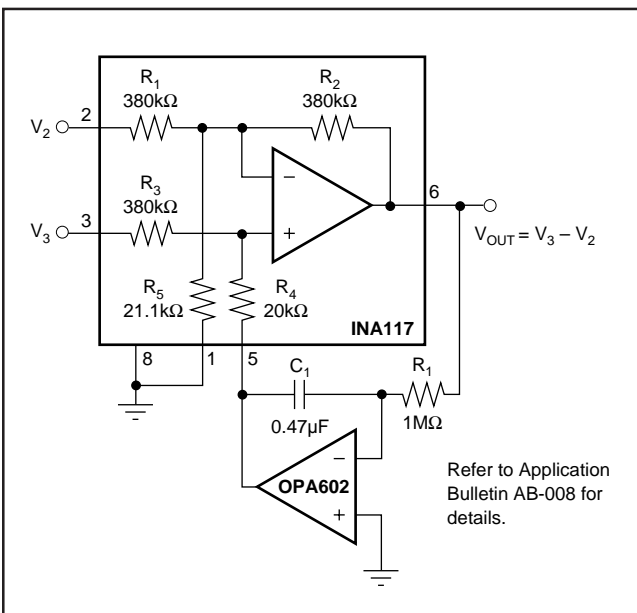


FIGURE 16. AC-Coupled INA117.

This datasheet has been downloaded from:

[www.DatasheetCatalog.com](http://www.DatasheetCatalog.com)

Datasheets for electronic components.



LittleDiode supplies new, hard to find or obsolete electronic components and semiconductors all over the world.

With over two million different components listed you are sure to find the part you need.

Feel free to visit us today at our online store:

[LittleDiode.com](http://LittleDiode.com)

Looking forward to providing you with the best possible service.