



# ISO122

## Precision Lowest Cost ISOLATION AMPLIFIER

### FEATURES

- 100% TESTED FOR HIGH-VOLTAGE BREAKDOWN
- RATED 1500Vrms
- HIGH IMR: 140dB at 60Hz
- BIPOLAR OPERATION:  $V_o = \pm 10V$
- 16-PIN PLASTIC DIP AND 28-LEAD SOIC
- EASE OF USE: Fixed Unity Gain Configuration
- 0.020% max NONLINEARITY
- $\pm 4.5V$  to  $\pm 18V$  SUPPLY RANGE

### APPLICATIONS

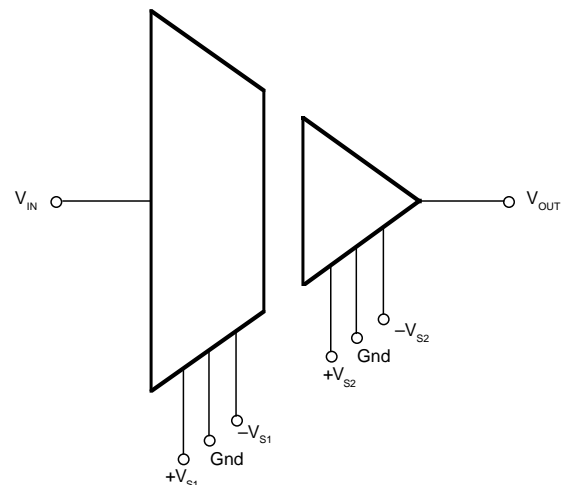
- INDUSTRIAL PROCESS CONTROL: Transducer Isolator, Isolator for Thermocouples, RTDs, Pressure Bridges, and Flow Meters, 4mA to 20mA Loop Isolation
- GROUND LOOP ELIMINATION
- MOTOR AND SCR CONTROL
- POWER MONITORING
- PC-BASED DATA ACQUISITION
- TEST EQUIPMENT

### DESCRIPTION

The ISO122 is a precision isolation amplifier incorporating a novel duty cycle modulation-demodulation technique. The signal is transmitted digitally across a 2pF differential capacitive barrier. With digital modulation the barrier characteristics do not affect signal integrity, resulting in excellent reliability and good high frequency transient immunity across the barrier. Both barrier capacitors are imbedded in the plastic body of the package.

The ISO122 is easy to use. No external components are required for operation. The key specifications are 0.020% max nonlinearity, 50kHz signal bandwidth, and  $200\mu V/^\circ C$   $V_{OS}$  drift. A power supply range of  $\pm 4.5V$  to  $\pm 18V$  and quiescent currents of  $\pm 5.0mA$  on  $V_{S1}$  and  $\pm 5.5mA$  on  $V_{S2}$  make these amplifiers ideal for a wide range of applications.

The ISO122 is available in 16-pin plastic DIP and 28-lead plastic surface mount packages.



International Airport Industrial Park • Mailing Address: PO Box 11400 • Tucson, AZ 85734 • Street Address: 6730 S. Tucson Blvd. • Tucson, AZ 85706  
Tel: (520) 746-1111 • Twx: 910-952-1111 • Cable: BBRCORP • Telex: 066-6491 • FAX: (520) 889-1510 • Immediate Product Info: (800) 548-6132

# SPECIFICATIONS

At  $T_A = +25^\circ\text{C}$ ,  $V_{S1} = V_{S2} = \pm 15\text{V}$ , and  $R_L = 2\text{k}\Omega$  unless otherwise noted.

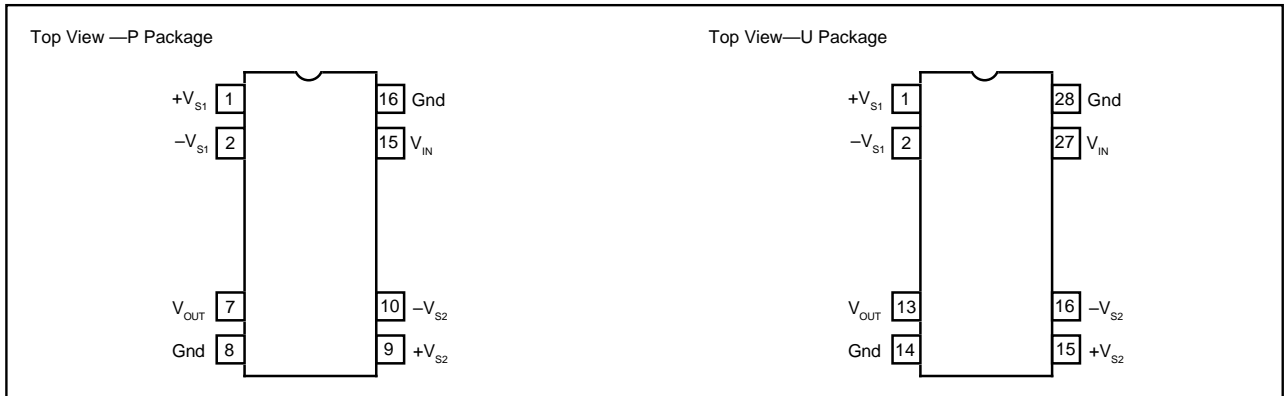
PARAMETER	CONDITIONS	ISO122P/U			ISO122JP/JU			UNITS
		MIN	TYP	MAX	MIN	TYP	MAX	
<b>ISOLATION</b> Voltage Rated Continuous AC 60Hz 100% Test <sup>(1)</sup> Isolation Mode Rejection Barrier Impedance Leakage Current at 60Hz	1s, 5pc PD 60Hz  $V_{ISO} = 240\text{Vrms}$	1500 2400	140 $10^{14} \parallel 2$ 0.18	0.5	*	*	*	VAC VAC dB $\Omega \parallel \text{pF}$ $\mu\text{Arms}$
<b>GAIN</b> Nominal Gain Gain Error Gain vs Temperature Nonlinearity <sup>(2)</sup>	$V_O = \pm 10\text{V}$		1 $\pm 0.05$ $\pm 10$ $\pm 0.016$	$\pm 0.50$  $\pm 0.020$		*	*	V/V %FSR ppm/ $^\circ\text{C}$ %FSR
<b>INPUT OFFSET VOLTAGE</b> Initial Offset vs Temperature vs Supply Noise			$\pm 20$ $\pm 200$ $\pm 2$ 4	$\pm 50$		*	*	mV $\mu\text{V}/^\circ\text{C}$ mV/V $\mu\text{V}/\sqrt{\text{Hz}}$
<b>INPUT</b> Voltage Range Resistance		$\pm 10$	$\pm 12.5$ 200		*	*		V k $\Omega$
<b>OUTPUT</b> Voltage Range Current Drive Capacitive Load Drive Ripple Voltage <sup>(3)</sup>		$\pm 10$ $\pm 5$	$\pm 12.5$ $\pm 15$ 0.1 20		*	*	*	V mA $\mu\text{F}$ mVp-p
<b>FREQUENCY RESPONSE</b> Small Signal Bandwidth Slew Rate Settling Time 0.1% 0.01% Overload Recover Time	$V_O = \pm 10\text{V}$		50 2  50 350 150			*	*	kHz V/ $\mu\text{s}$  $\mu\text{s}$ $\mu\text{s}$ $\mu\text{s}$
<b>POWER SUPPLIES</b> Rated Voltage Voltage Range Quiescent Current: $V_{S1}$ $V_{S2}$		$\pm 4.5$	$\pm 15$ $\pm 5.0$ $\pm 5.5$	$\pm 18$ $\pm 7.0$ $\pm 7.0$	*	*	*	V V mA mA
<b>TEMPERATURE RANGE</b> Specification Operating Storage $\theta_{JA}$ $\theta_{JC}$		-25 -25 -40	100 65	+85 +85 +85	*	*	*	$^\circ\text{C}$ $^\circ\text{C}$ $^\circ\text{C}$ $^\circ\text{C}/\text{W}$ $^\circ\text{C}/\text{W}$

\* Specification same as ISO122P/U.

NOTES: (1) Tested at 1.6 X rated, fail on 5pC partial discharge. (2) Nonlinearity is the peak deviation of the output voltage from the best-fit straight line. It is expressed as the ratio of deviation to FSR. (3) Ripple frequency is at carrier frequency (500kHz).

The information provided herein is believed to be reliable; however, BURR-BROWN assumes no responsibility for inaccuracies or omissions. BURR-BROWN assumes no responsibility for the use of this information, and all use of such information shall be entirely at the user's own risk. Prices and specifications are subject to change without notice. No patent rights or licenses to any of the circuits described herein are implied or granted to any third party. BURR-BROWN does not authorize or warrant any BURR-BROWN product for use in life support devices and/or systems.

## CONNECTION DIAGRAM



### PACKAGE INFORMATION<sup>(1)</sup>

MODEL	PACKAGE	PACKAGE DRAWING NUMBER
ISO122P	16-Pin Plastic DIP	238
ISO122JP	16-Pin Plastic DIP	238
ISO122U	28-Pin Plastic SOIC	217-1
ISO122JU	28-Pin Plastic SOIC	217-1

NOTE: (1) For detailed drawing and dimension table, please see end of data sheet, or Appendix D of Burr-Brown IC Data Book.

### ABSOLUTE MAXIMUM RATINGS

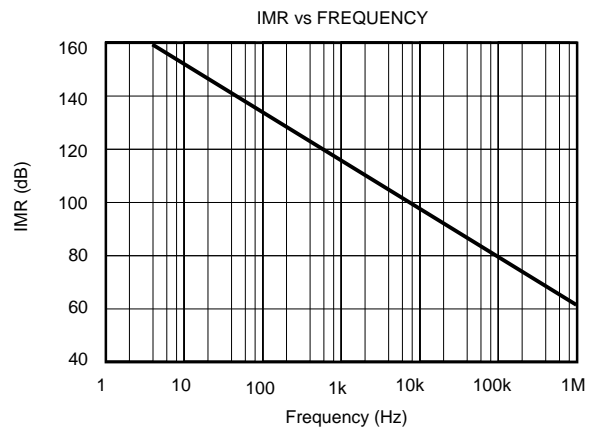
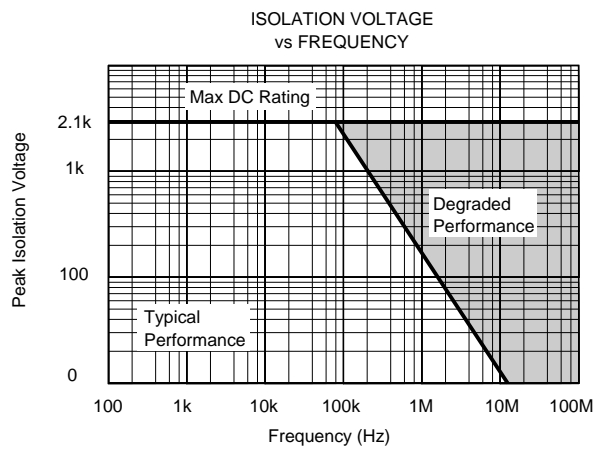
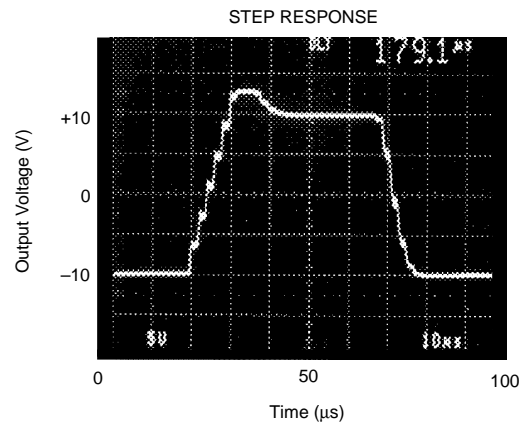
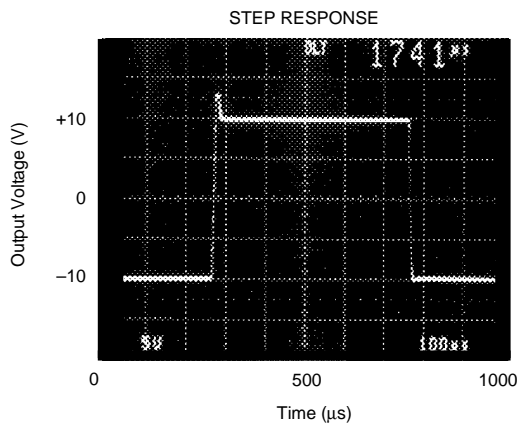
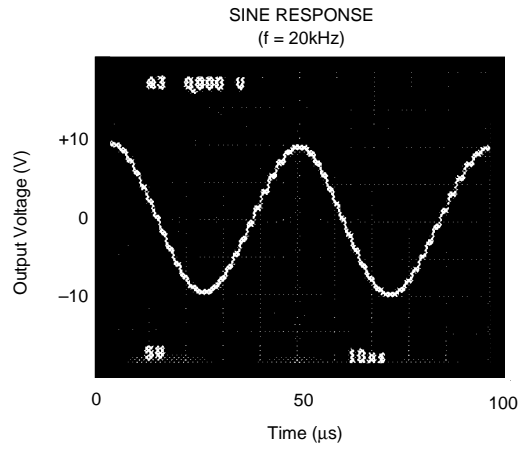
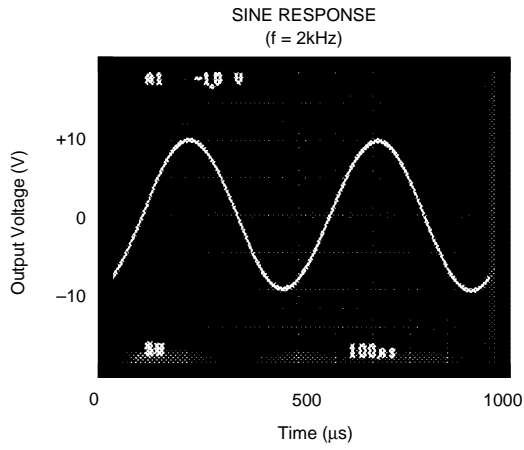
Supply Voltage .....	±18V
$V_{IN}$ .....	±100V
Continuous Isolation Voltage .....	1500Vrms
Junction Temperature .....	+150°C
Storage Temperature .....	+85°C
Lead Temperature (soldering, 10s) .....	+300°C
Output Short to Common .....	Continuous

### ORDERING INFORMATION

MODEL	PACKAGE	NONLINEARITY MAX %FSR
ISO122P	Plastic DIP	±0.020
ISO122JP	Plastic DIP	±0.050
ISO122U	Plastic SOIC	±0.020
ISO122JU	Plastic SOIC	±0.050

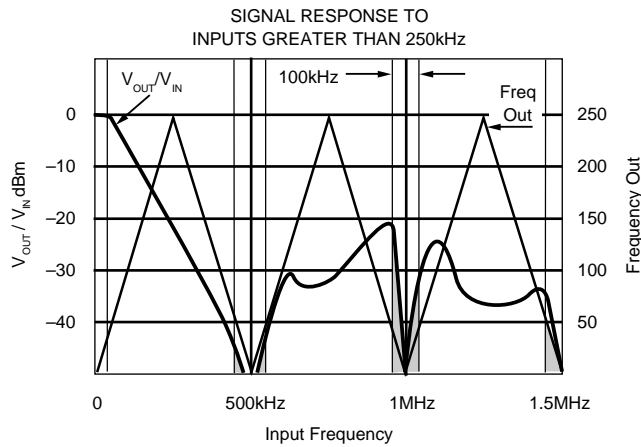
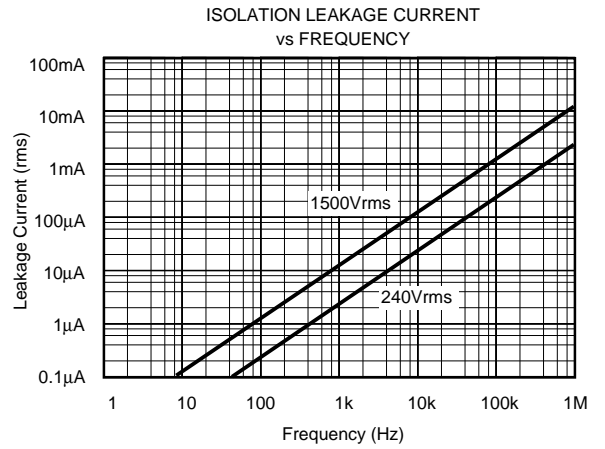
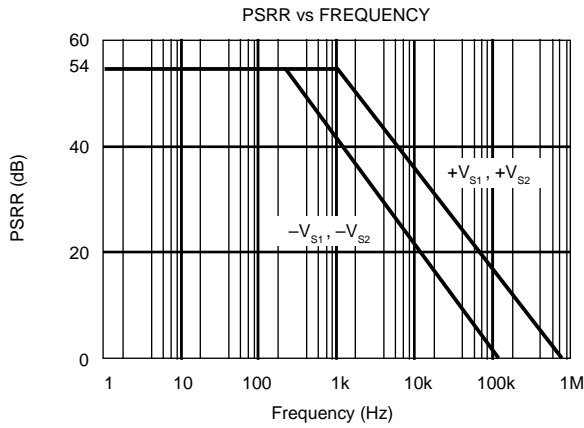
# TYPICAL PERFORMANCE CURVES

$T_A = +25^\circ\text{C}$ ,  $V_S = \pm 15\text{V}$  unless otherwise noted.



# TYPICAL PERFORMANCE CURVES

$T_A = +25^\circ\text{C}$ ,  $V_S = \pm 15\text{V}$  unless otherwise noted.



(NOTE: Shaded area shows aliasing frequencies that cannot be removed by a low-pass filter at the output.)

# THEORY OF OPERATION

The ISO122 isolation amplifier uses an input and an output section galvanically isolated by matched 1pF isolating capacitors built into the plastic package. The input is duty-cycle modulated and transmitted digitally across the barrier. The output section receives the modulated signal, converts it back to an analog voltage and removes the ripple component inherent in the demodulation. Input and output sections are fabricated, then laser trimmed for exceptional circuitry matching common to both input and output sections. The sections are then mounted on opposite ends of the package with the isolating capacitors mounted between the two sections. The transistor count of the ISO122 is 250 transistors.

## MODULATOR

An input amplifier (A1, Figure 1) integrates the difference between the input current ( $V_{IN}/200k\Omega$ ) and a switched  $\pm 100\mu A$  current source. This current source is implemented by a switchable  $200\mu A$  source and a fixed  $100\mu A$  current sink. To understand the basic operation of the modulator, assume that  $V_{IN} = 0.0V$ . The integrator will ramp in one direction until the comparator threshold is exceeded. The comparator and sense amp will force the current source to switch; the resultant signal is a triangular waveform with a 50% duty cycle. The internal oscillator forces the current source to switch at 500kHz. The resultant capacitor drive is a complementary duty-cycle modulation square wave.

## DEMODULATOR

The sense amplifier detects the signal transitions across the capacitive barrier and drives a switched current source into integrator A2. The output stage balances the duty-cycle modulated current against the feedback current through the  $200k\Omega$  feedback resistor, resulting in an average value at the

$V_{OUT}$  pin equal to  $V_{IN}$ . The sample and hold amplifiers in the output feedback loop serve to remove undesired ripple voltages inherent in the demodulation process.

# BASIC OPERATION

## SIGNAL AND SUPPLY CONNECTIONS

Each power supply pin should be bypassed with  $1\mu F$  tantalum capacitors located as close to the amplifier as possible. The internal frequency of the modulator/demodulator is set at 500kHz by an internal oscillator. Therefore, if it is desired to minimize any feedthrough noise (beat frequencies) from a DC/DC converter, use a  $\pi$  filter on the supplies (see Figure 4). ISO122 output has a 500kHz ripple of 20mV, which can be removed with a simple two pole low-pass filter with a 100kHz cutoff using a low cost op amp. See Figure 4.

The input to the modulator is a current (set by the  $200k\Omega$  integrator input resistor) that makes it possible to have an input voltage greater than the input supplies, as long as the output supply is at least  $\pm 15V$ . It is therefore possible when using an unregulated DC/DC converter to minimize PSR related output errors with  $\pm 5V$  voltage regulators on the isolated side and still get the full  $\pm 10V$  input and output swing. An example of this application is shown in Figure 10.

## CARRIER FREQUENCY CONSIDERATIONS

The ISO122 amplifier transmits the signal across the isolation barrier by a 500kHz duty cycle modulation technique. For input signals having frequencies below 250kHz, this system works like any linear amplifier. But for frequencies above 250kHz, the behavior is similar to that of a sampling amplifier. The signal response to inputs greater than 250kHz

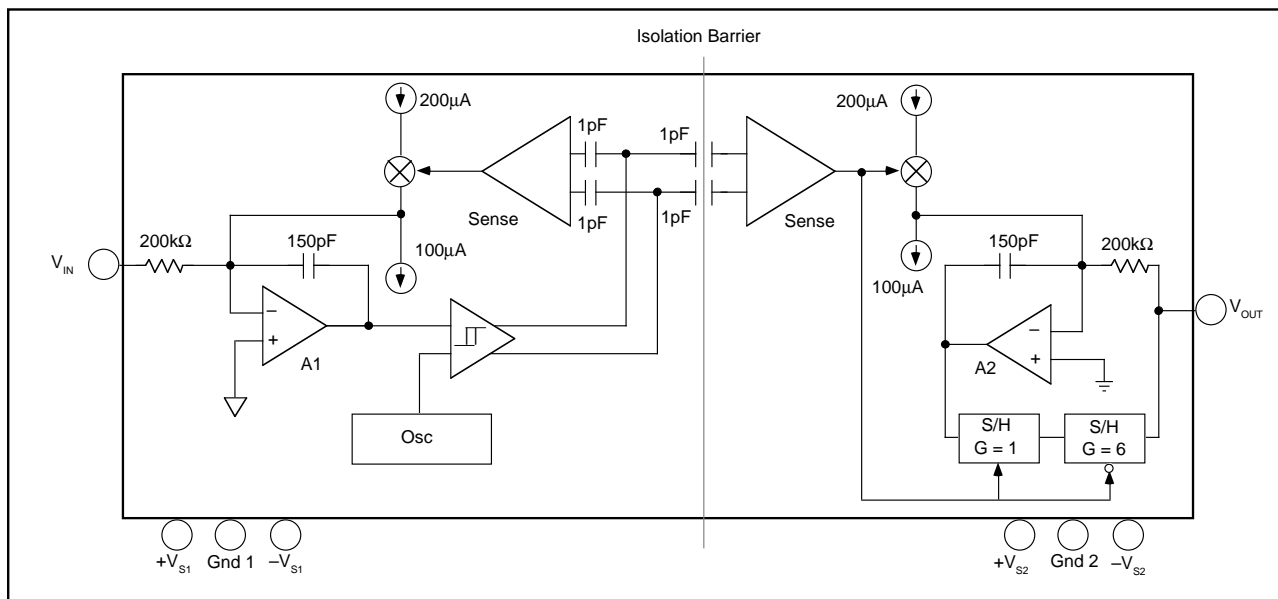


FIGURE 1. Block Diagram.

performance curve shows this behavior graphically; at input frequencies above 250kHz the device generates an output signal component of reduced magnitude at a frequency below 250kHz. This is the aliasing effect of sampling at frequencies less than 2 times the signal frequency (the Nyquist frequency). Note that at the carrier frequency and its harmonics, both the frequency and amplitude of the aliasing go to zero.

### ISOLATION MODE VOLTAGE INDUCED ERRORS

IMV can induce errors at the output as indicated by the plots of IMV vs Frequency. It should be noted that if the IMV frequency exceeds 250kHz, the output also will display spurious outputs (aliasing), in a manner similar to that for  $V_{IN} > 250\text{kHz}$  and the amplifier response will be identical to that shown in the Signal Response to Inputs Greater Than 250kHz performance curve. This occurs because IMV-induced errors behave like input-referred error signals. To predict the total error, divide the isolation voltage by the IMR shown in the IMR vs Frequency curve and compute the amplifier response to this input-referred error signal from the data given in the Signal Response to Inputs Greater than 250kHz performance curve. For example, if a 800kHz 1000Vrms IMR is present, then a total of  $[(-60\text{dB}) + (-30\text{dB})] \times (1000\text{V}) = 32\text{mV}$  error signal at 200kHz plus a 1V, 800kHz error signal will be present at the output.

### HIGH IMV dV/dt ERRORS

As the IMV frequency increases and the dV/dt exceeds 1000V/ $\mu\text{s}$ , the sense amp may start to false trigger, and the output will display spurious errors. The common mode current being sent across the barrier by the high slew rate is the cause of the false triggering of the sense amplifier. Lowering the power supply voltages below  $\pm 15\text{V}$  may decrease the dV/dt to 500V/ $\mu\text{s}$  for typical performance.

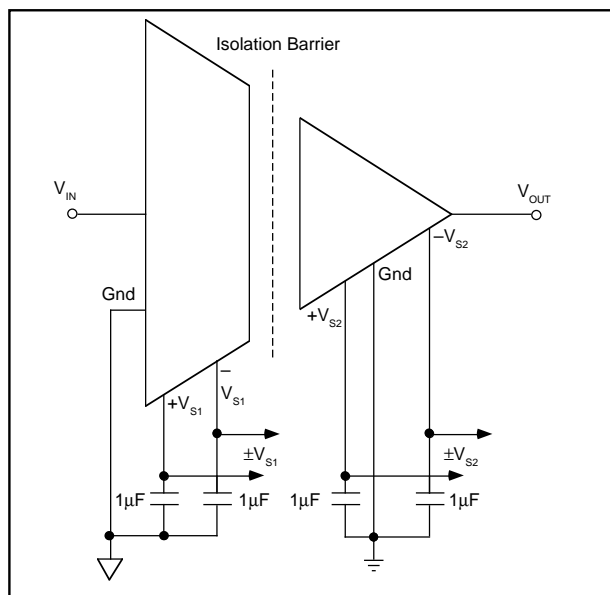


FIGURE 2. Basic Signal and Power Connections.

### HIGH VOLTAGE TESTING

Burr-Brown Corporation has adopted a partial discharge test criterion that conforms to the German VDE0884 Optocoupler Standards. This method requires the measurement of minute current pulses ( $<5\text{pC}$ ) while applying 2400Vrms, 60Hz high voltage stress across every ISO122 isolation barrier. No partial discharge may be initiated to pass this test. This criterion confirms transient overvoltage ( $1.6 \times 1500\text{Vrms}$ ) protection without damage to the ISO122. Lifetest results verify the absence of failure under continuous rated voltage and maximum temperature.

This new test method represents the “state of the art” for non-destructive high voltage reliability testing. It is based on the effects of non-uniform fields that exist in heterogeneous dielectric material during barrier degradation. In the case of void non-uniformities, electric field stress begins to ionize the void region before bridging the entire high voltage barrier. The transient conduction of charge during and after the ionization can be detected externally as a burst of 0.01-0.1 $\mu\text{s}$  current pulses that repeat on each AC voltage cycle. The minimum AC barrier voltage that initiates partial discharge is defined as the “inception voltage.” Decreasing the barrier voltage to a lower level is required before partial discharge ceases and is defined as the “extinction voltage.” We have characterized and developed the package insulation processes to yield an inception voltage in excess of 2400Vrms so that transient overvoltages below this level will not damage the ISO122. The extinction voltage is above 1500Vrms so that even overvoltage induced partial discharge will cease once the barrier voltage is reduced to the 1500Vrms (rated) level. Older high voltage test methods relied on applying a large enough overvoltage (above rating) to break down marginal parts, but not so high as to damage good ones. Our new partial discharge testing gives us more confidence in barrier reliability than breakdown/no breakdown criteria.

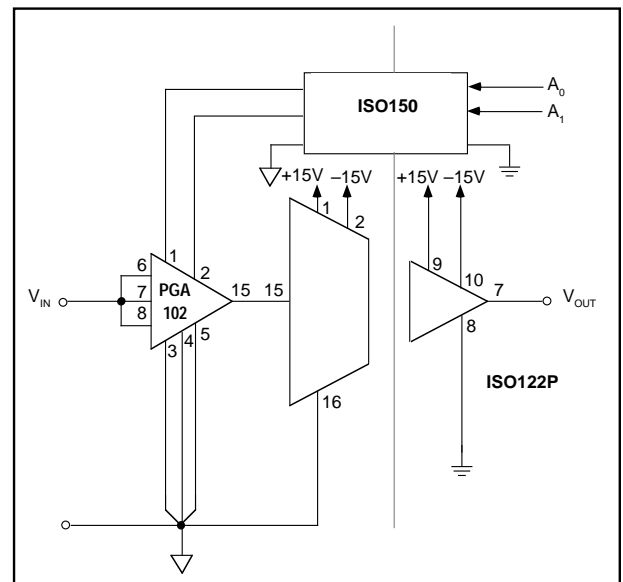


FIGURE 3. Programmable-Gain Isolation Channel with Gains of 1, 10, and 100.

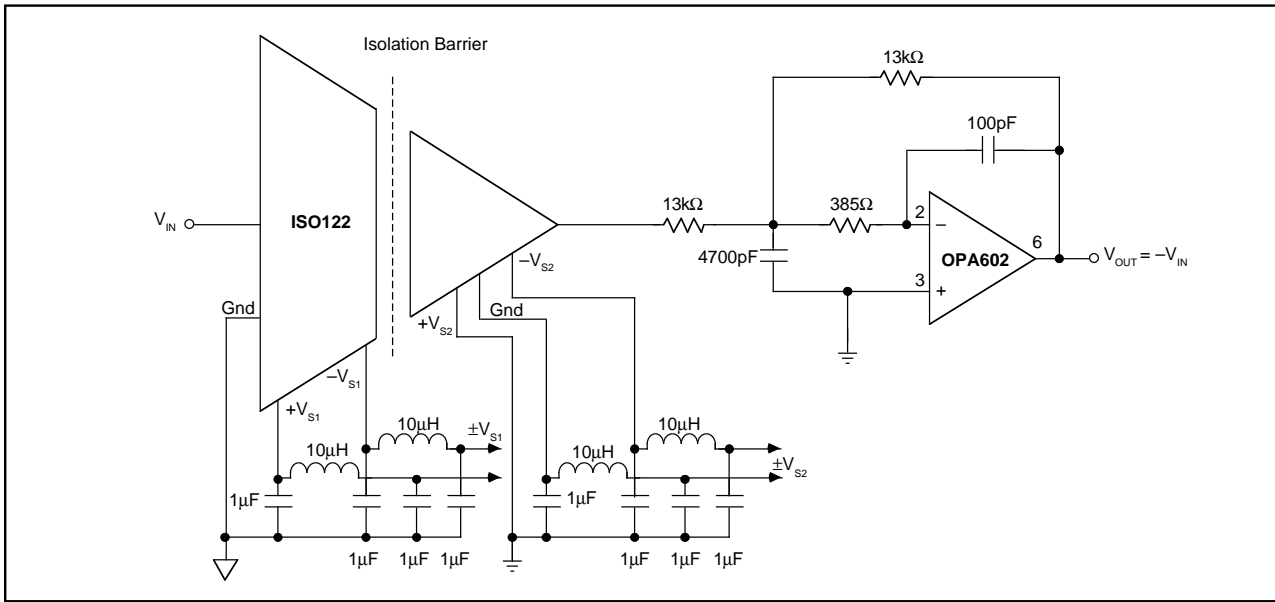


FIGURE 4. Optional  $\pi$  Filter to Minimize Power Supply Feedthrough Noise; Output Filter to Remove 500kHz Carrier Ripple. For more information concerning output filter refer to AB-023.

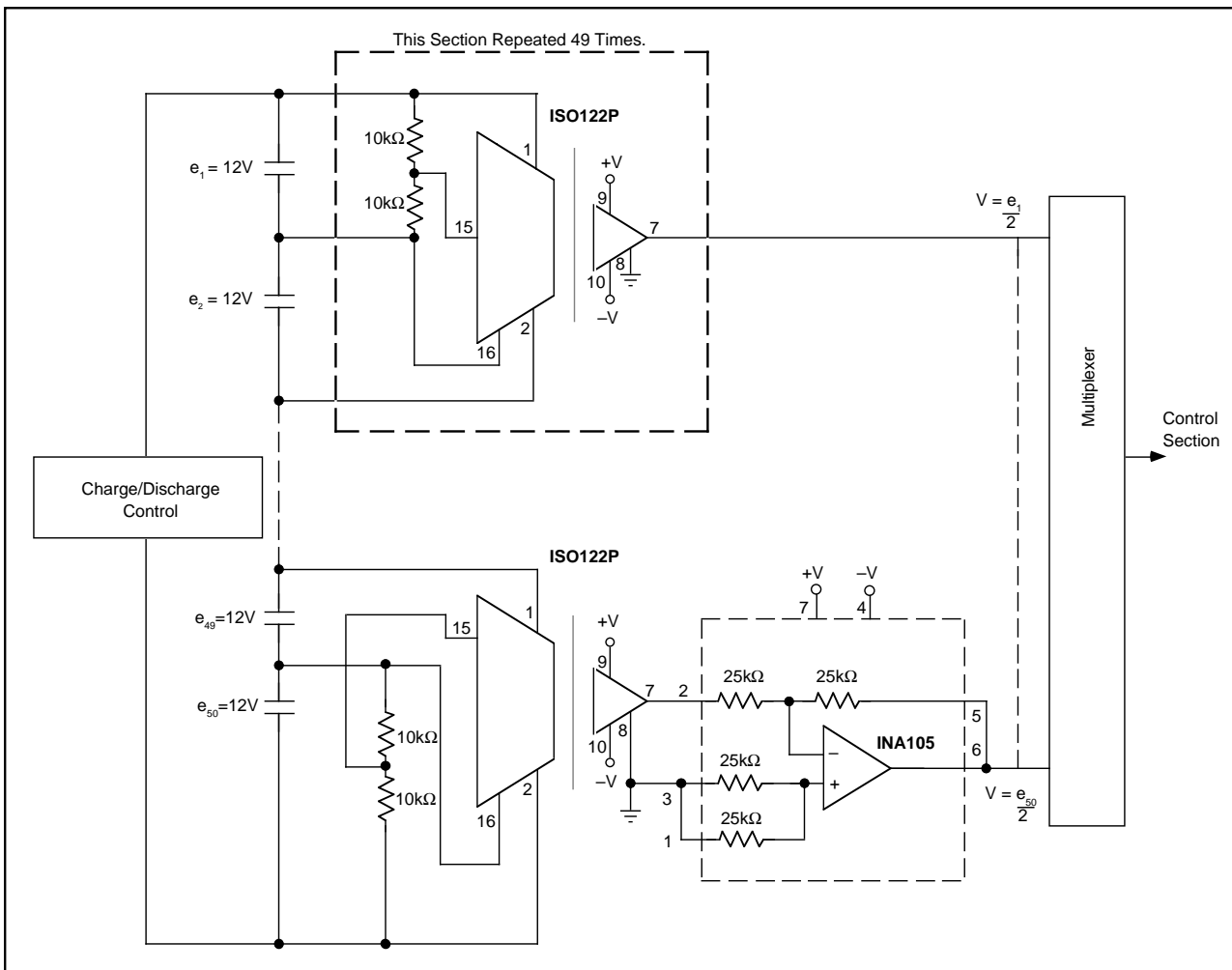


FIGURE 5. Battery Monitor for a 600V Battery Power System. (Derives Input Power from the Battery.)

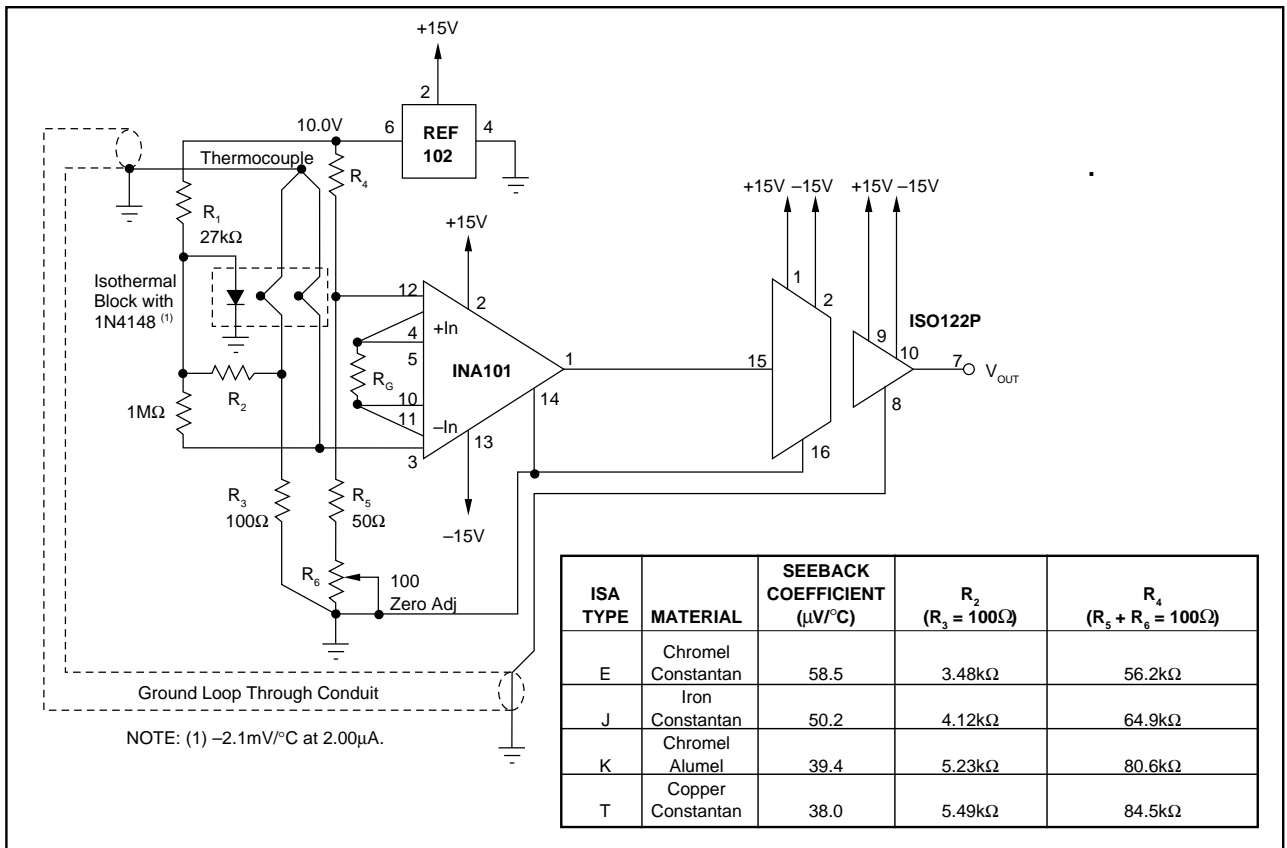


FIGURE 6. Thermocouple Amplifier with Ground Loop Elimination, Cold Junction Compensation, and Up-scale Burn-out.

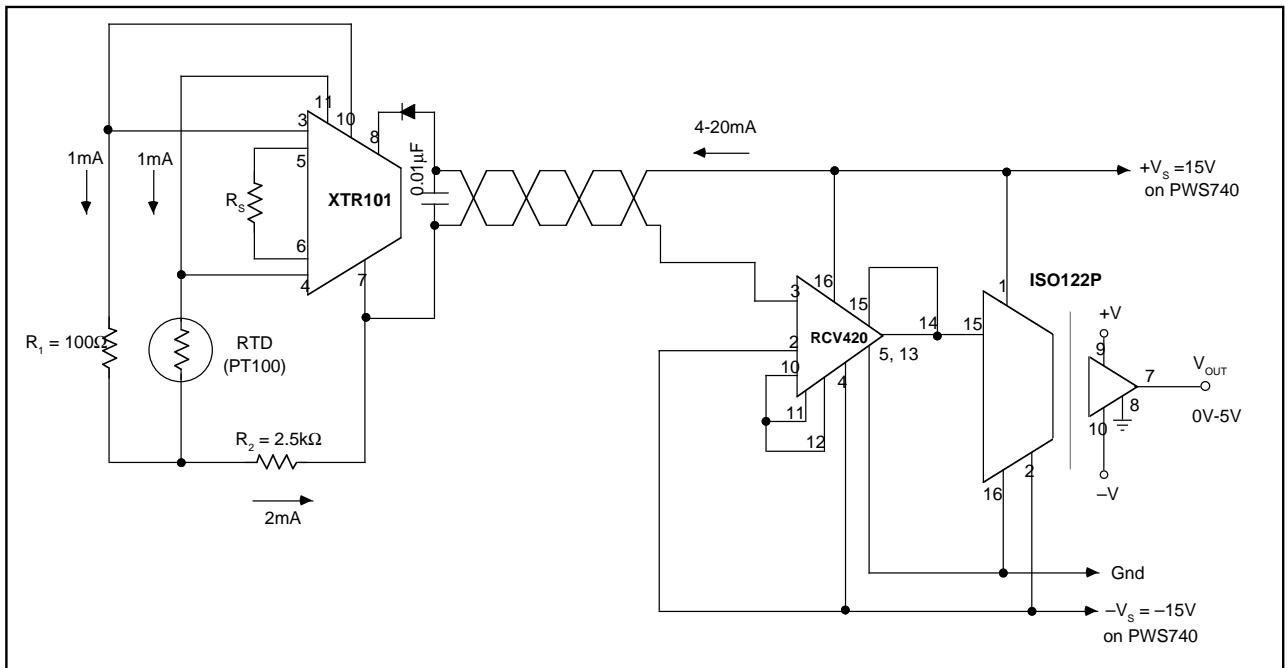


FIGURE 7. Isolated 4-20mA Instrument Loop. (RTD shown.)

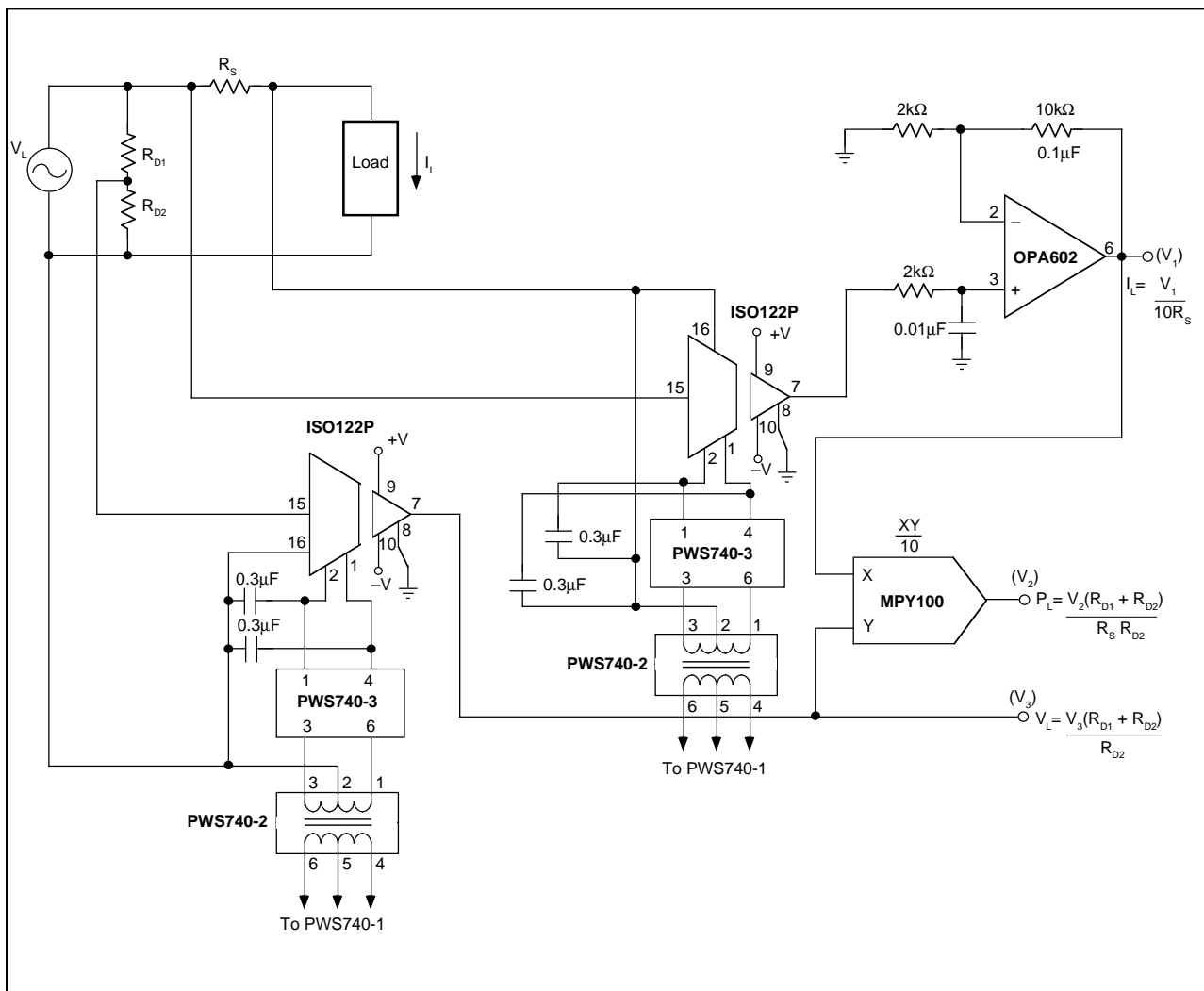


FIGURE 8. Isolated Power Line Monitor.

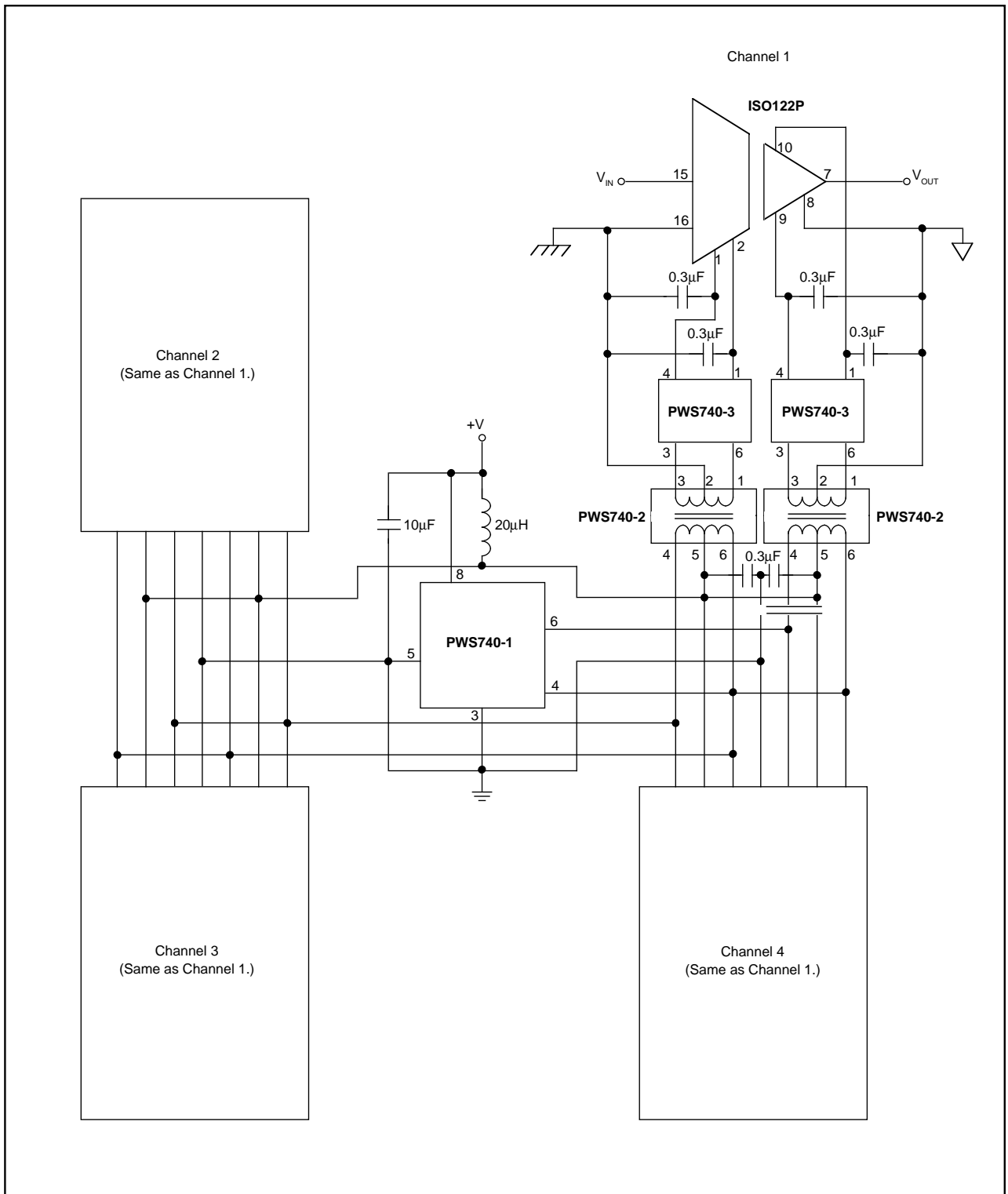


FIGURE 9. Three-Port, Low-Cost, Four-Channel Isolated, Data Acquisition System.

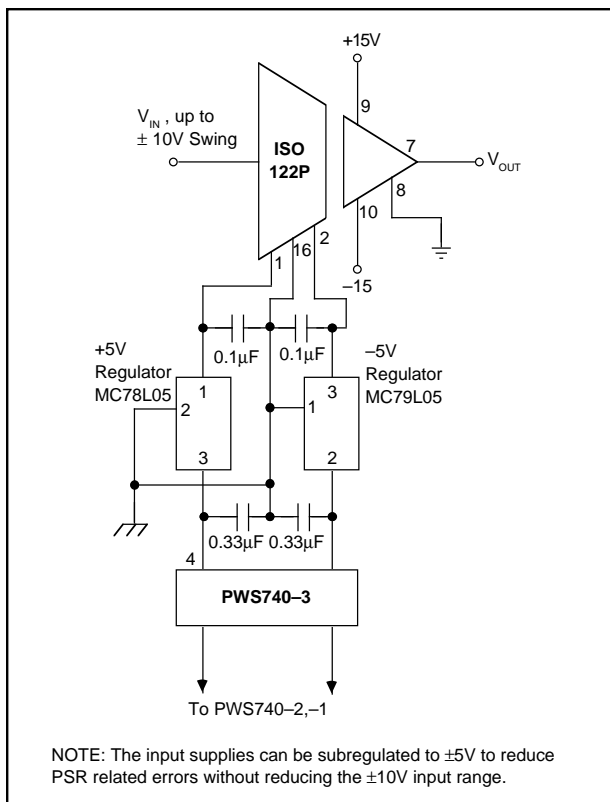


FIGURE 10. Improved PSR Using External Regulator.

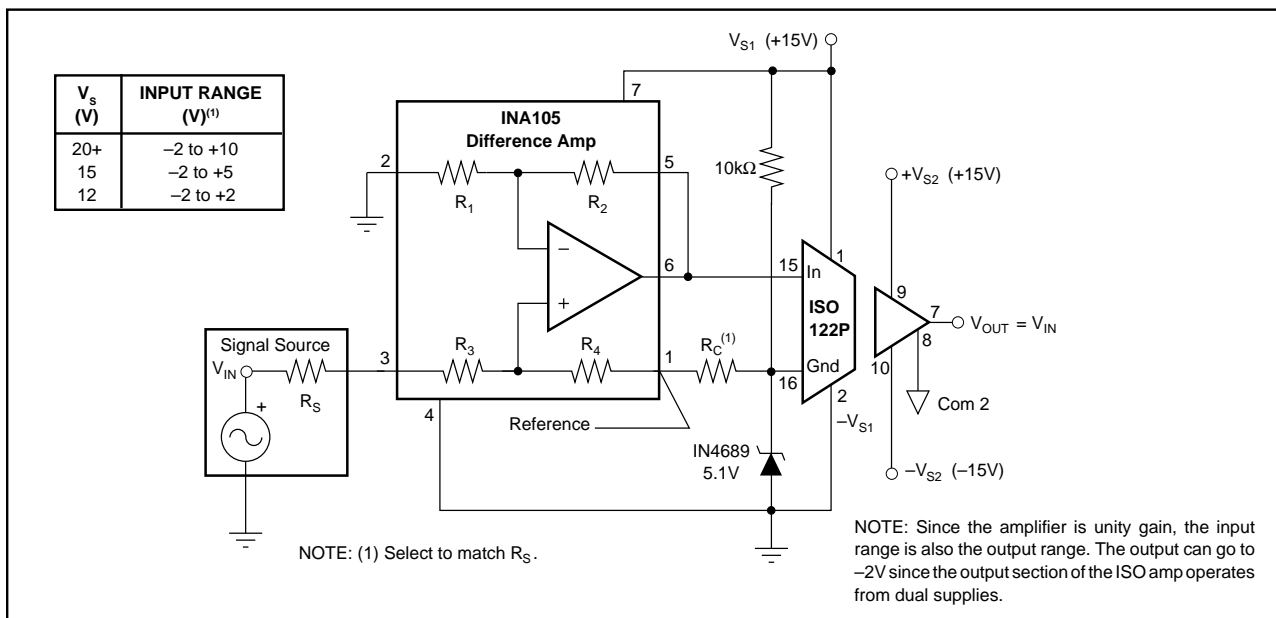


FIGURE 11. Single Supply Operation of the ISO122P Isolation Amplifier. For additional information see AB-009.

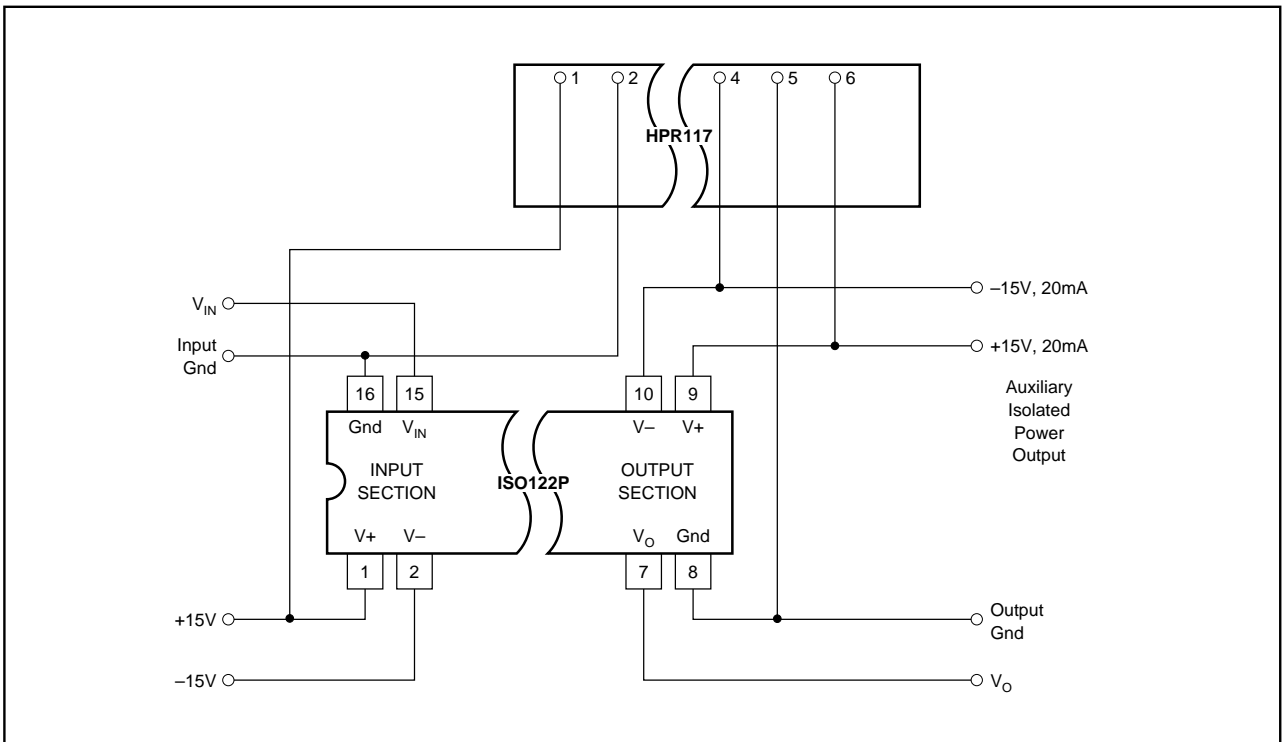


FIGURE 12. Input-Side Powered ISO Amp. For additional information refer to AB-024.

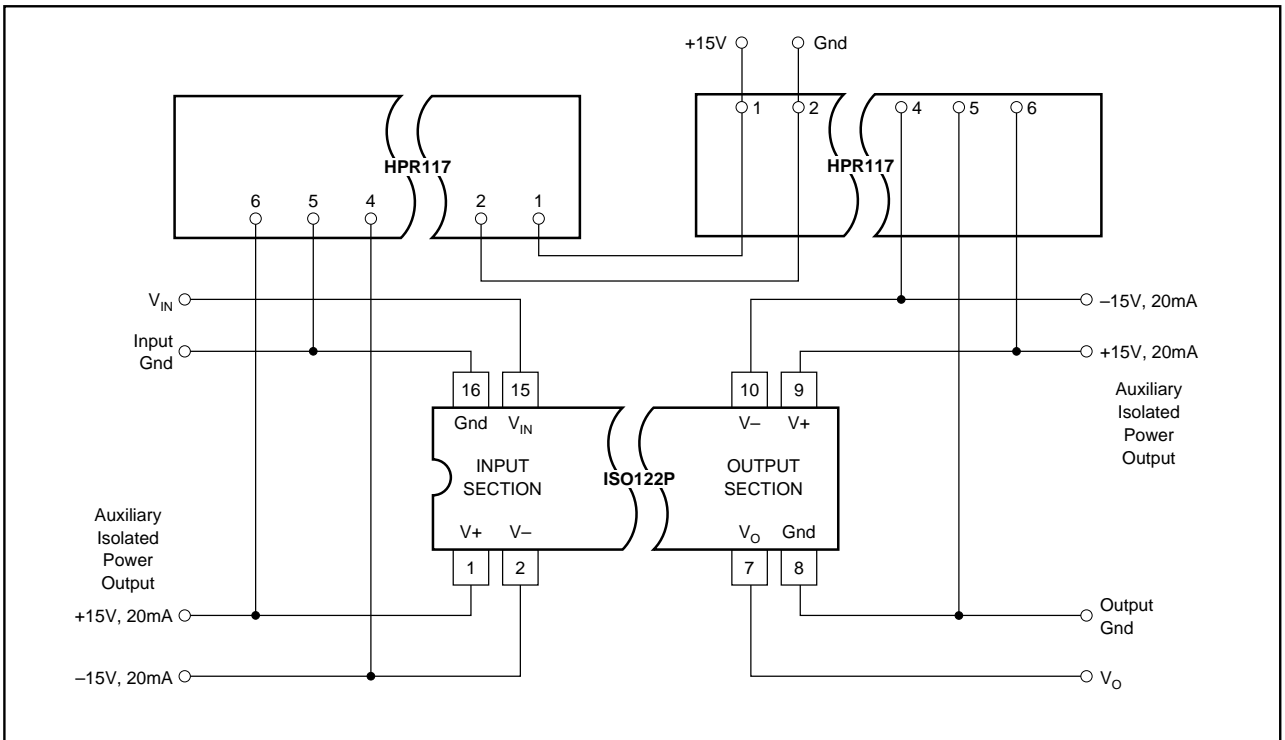


FIGURE 13. Powered ISO Amp with Three-Port Isolation. For additional information refer to AB-024.

---

## PACKAGING INFORMATION

ORDERABLE DEVICE	STATUS(1)	PACKAGE TYPE	PACKAGE DRAWING	PINS	PACKAGE QTY
ISO122JP	ACTIVE	PDIP	NVF	8	50
ISO122JU	ACTIVE	SOP	DVA	8	28
ISO122JU/1K	ACTIVE	SOP	DVA	8	1000
ISO122P	ACTIVE	PDIP	NVF	8	50
ISO122U	ACTIVE	SOP	DVA	8	28
ISO122U/1K	ACTIVE	SOP	DVA	8	1000

(1) The marketing status values are defined as follows:

**ACTIVE:** Product device recommended for new designs.

**LIFEBUY:** TI has announced that the device will be discontinued, and a lifetime-buy period is in effect.

**NRND:** Not recommended for new designs. Device is in production to support existing customers, but TI does not recommend using this part in a new design.

**PREVIEW:** Device has been announced but is not in production. Samples may or may not be available.

**OBSOLETE:** TI has discontinued the production of the device.

---

## IMPORTANT NOTICE

Texas Instruments Incorporated and its subsidiaries (TI) reserve the right to make corrections, modifications, enhancements, improvements, and other changes to its products and services at any time and to discontinue any product or service without notice. Customers should obtain the latest relevant information before placing orders and should verify that such information is current and complete. All products are sold subject to TI's terms and conditions of sale supplied at the time of order acknowledgment.

TI warrants performance of its hardware products to the specifications applicable at the time of sale in accordance with TI's standard warranty. Testing and other quality control techniques are used to the extent TI deems necessary to support this warranty. Except where mandated by government requirements, testing of all parameters of each product is not necessarily performed.

TI assumes no liability for applications assistance or customer product design. Customers are responsible for their products and applications using TI components. To minimize the risks associated with customer products and applications, customers should provide adequate design and operating safeguards.

TI does not warrant or represent that any license, either express or implied, is granted under any TI patent right, copyright, mask work right, or other TI intellectual property right relating to any combination, machine, or process in which TI products or services are used. Information published by TI regarding third-party products or services does not constitute a license from TI to use such products or services or a warranty or endorsement thereof. Use of such information may require a license from a third party under the patents or other intellectual property of the third party, or a license from TI under the patents or other intellectual property of TI.

Reproduction of information in TI data books or data sheets is permissible only if reproduction is without alteration and is accompanied by all associated warranties, conditions, limitations, and notices. Reproduction of this information with alteration is an unfair and deceptive business practice. TI is not responsible or liable for such altered documentation.

Resale of TI products or services with statements different from or beyond the parameters stated by TI for that product or service voids all express and any implied warranties for the associated TI product or service and is an unfair and deceptive business practice. TI is not responsible or liable for any such statements.

Following are URLs where you can obtain information on other Texas Instruments products and application solutions:

<b>Products</b>		<b>Applications</b>	
Amplifiers	<a href="http://amplifier.ti.com">amplifier.ti.com</a>	Audio	<a href="http://www.ti.com/audio">www.ti.com/audio</a>
Data Converters	<a href="http://dataconverter.ti.com">dataconverter.ti.com</a>	Automotive	<a href="http://www.ti.com/automotive">www.ti.com/automotive</a>
DSP	<a href="http://dsp.ti.com">dsp.ti.com</a>	Broadband	<a href="http://www.ti.com/broadband">www.ti.com/broadband</a>
Interface	<a href="http://interface.ti.com">interface.ti.com</a>	Digital Control	<a href="http://www.ti.com/digitalcontrol">www.ti.com/digitalcontrol</a>
Logic	<a href="http://logic.ti.com">logic.ti.com</a>	Military	<a href="http://www.ti.com/military">www.ti.com/military</a>
Power Mgmt	<a href="http://power.ti.com">power.ti.com</a>	Optical Networking	<a href="http://www.ti.com/opticalnetwork">www.ti.com/opticalnetwork</a>
Microcontrollers	<a href="http://microcontroller.ti.com">microcontroller.ti.com</a>	Security	<a href="http://www.ti.com/security">www.ti.com/security</a>
		Telephony	<a href="http://www.ti.com/telephony">www.ti.com/telephony</a>
		Video & Imaging	<a href="http://www.ti.com/video">www.ti.com/video</a>
		Wireless	<a href="http://www.ti.com/wireless">www.ti.com/wireless</a>

Mailing Address: Texas Instruments  
Post Office Box 655303 Dallas, Texas 75265

Copyright © 2003, Texas Instruments Incorporated

This datasheet has been downloaded from:

[www.DatasheetCatalog.com](http://www.DatasheetCatalog.com)

Datasheets for electronic components.



LittleDiode supplies new, hard to find or obsolete electronic components and semiconductors all over the world.

With over two million different components listed you are sure to find the part you need.

Feel free to visit us today at our online store:

[LittleDiode.com](http://LittleDiode.com)

Looking forward to providing you with the best possible service.