

54153/DM54153/DM74153 Dual 4-Line to 1-Line Data Selectors/Multiplexers

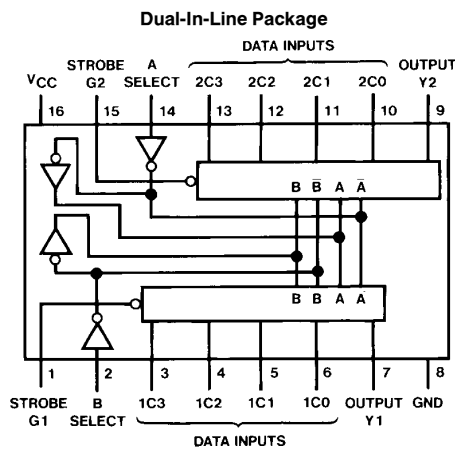
General Description

Each of these data selectors/multiplexers contains inverters and drivers to supply fully complementary, on-chip, binary decoding data selection to the AND-OR-invert gates. Separate strobe inputs are provided for each of the two four-line sections.

Features

- Permits multiplexing from N lines to 1 line
- Performs parallel-to-serial conversion
- Strobe (enable) line provided for cascading (N lines to n lines)
- High fan-out, low-impedance, totem-pole outputs
- Typical average propagation delay times
 - From data 11 ns
 - From strobe 18 ns
 - From select 20 ns
- Typical power dissipation 170 mW
- Alternate Military/Aerospace device (54153) is available. Contact a National Semiconductor Sales Office/Distributor for specifications.

Connection Diagram



TL/F/6547-1

Order Number 54153DMQB, 54153FMQB, DM54153J,
DM54153W or DM74153N
See NS Package Number J16A, N16E or W16A

Function Table

| Select Inputs | | Data Inputs | | | | Strobe | Output |
|---------------|---|-------------|----|----|----|--------|--------|
| B | A | C0 | C1 | C2 | C3 | G | Y |
| X | X | X | X | X | X | H | L |
| L | L | L | X | X | X | L | L |
| L | L | H | X | X | X | L | H |
| L | H | X | L | X | X | L | L |
| L | H | X | H | X | X | L | H |
| H | L | X | X | L | X | L | L |
| H | L | X | X | H | X | L | H |
| H | H | X | X | X | L | L | L |
| H | H | X | X | X | H | L | H |

Select inputs A and B are common to both sections.
H = High Level, L = Low Level, X = Don't Care

54153/DM54153/DM74153 Dual 4-Line to 1-Line Data Selectors/Multiplexers

Absolute Maximum Ratings (Note)

If Military/Aerospace specified devices are required, please contact the National Semiconductor Sales Office/Distributors for availability and specifications.

| | |
|--------------------------------------|-----------------|
| Supply Voltage | 7V |
| Input Voltage | 5.5V |
| Operating Free Air Temperature Range | |
| DM54 and 54 | −55°C to +125°C |
| DM74 | 0°C to +70°C |
| Storage Temperature Range | −65°C to +150°C |

Note: The "Absolute Maximum Ratings" are those values beyond which the safety of the device cannot be guaranteed. The device should not be operated at these limits. The parametric values defined in the "Electrical Characteristics" table are not guaranteed at the absolute maximum ratings. The "Recommended Operating Conditions" table will define the conditions for actual device operation.

Recommended Operating Conditions

| Symbol | Parameter | DM54153 | | | DM74153 | | | Units |
|-----------------|--------------------------------|---------|-----|------|---------|-----|------|-------|
| | | Min | Nom | Max | Min | Nom | Max | |
| V _{CC} | Supply Voltage | 4.5 | 5 | 5.5 | 4.75 | 5 | 5.25 | V |
| V _{IH} | High Level Input Voltage | 2 | | | 2 | | | V |
| V _{IL} | Low Level Input Voltage | | | 0.8 | | | 0.8 | V |
| I _{OH} | High Level Output Current | | | −0.8 | | | −0.8 | mA |
| I _{OL} | Low Level Output Current | | | 16 | | | 16 | mA |
| T _A | Free Air Operating Temperature | −55 | | 125 | 0 | | 70 | °C |

Electrical Characteristics over recommended operating free air temperature range (unless otherwise noted)

| Symbol | Parameter | Conditions | Min | Typ (Note 1) | Max | Units |
|-----------------|-----------------------------------|--|-------------|--------------|------|-------|
| V _I | Input Clamp Voltage | V _{CC} = Min, I _I = −12 mA | | | −1.5 | V |
| V _{OH} | High Level Output Voltage | V _{CC} = Min, I _{OH} = Max V _{IL} = Max, V _{IH} = Min | 2.4 | 3.2 | | V |
| V _{OL} | Low Level Output Voltage | V _{CC} = Min, I _{OL} = Max V _{IH} = Min, V _{IL} = Max | | 0.2 | 0.4 | V |
| I _I | Input Current @ Max Input Voltage | V _{CC} = Max, V _I = 5.5V | | | 1 | mA |
| I _{IH} | High Level Input Current | V _{CC} = Max, V _I = 2.4V | | | 40 | μA |
| I _{IL} | Low Level Input Current | V _{CC} = Max, V _I = 0.4V | | | −1.6 | mA |
| I _{OS} | Short Circuit Output Current | V _{CC} = Max (Note 2) | DM54 −20 | | −55 | mA |
| | | | DM74 −18 | | −57 | |
| I _{CC} | Supply Current | V _{CC} = Max (Note 3) | DM54 | 34 | 52 | mA |
| | | | DM74 | 34 | 60 | |

Note 1: All typicals are at V_{CC} = 5V, T_A = 25°C.

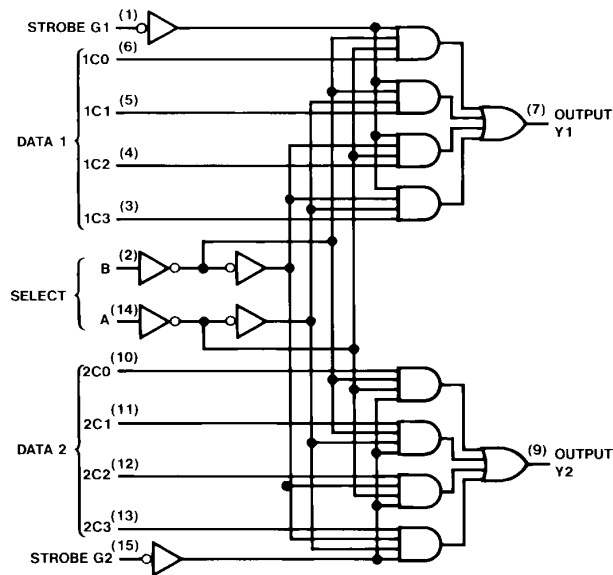
Note 2: Not more than one output should be shorted at a time.

Note 3: I_{CC} is measured with the outputs open and all inputs grounded.

Switching Characteristics at $V_{CC} = 5V$ and $T_A = 25^\circ C$ (See Section 1 for Test Waveforms and Output Load)

| Symbol | Parameter | From (Input) To (Output) | $R_L = 400\Omega, C_L = 30\text{ pF}$ | | Units |
|-----------|--|-----------------------------|---------------------------------------|-----|-------|
| | | | Min | Max | |
| t_{PLH} | Propagation Delay Time Low to High Level Output | Data to Y | | 18 | ns |
| t_{PHL} | Propagation Delay Time High to Low Level Output | Data to Y | | 23 | ns |
| t_{PLH} | Propagation Delay Time Low to High Level Output | Select to Y | | 34 | ns |
| t_{PHL} | Propagation Delay Time High to Low Level Output | Select to Y | | 34 | ns |
| t_{PLH} | Propagation Delay Time Low to High Level Output | Strobe to Y | | 30 | ns |
| t_{PHL} | Propagation Delay Time High to Low Level Output | Strobe to Y | | 23 | ns |

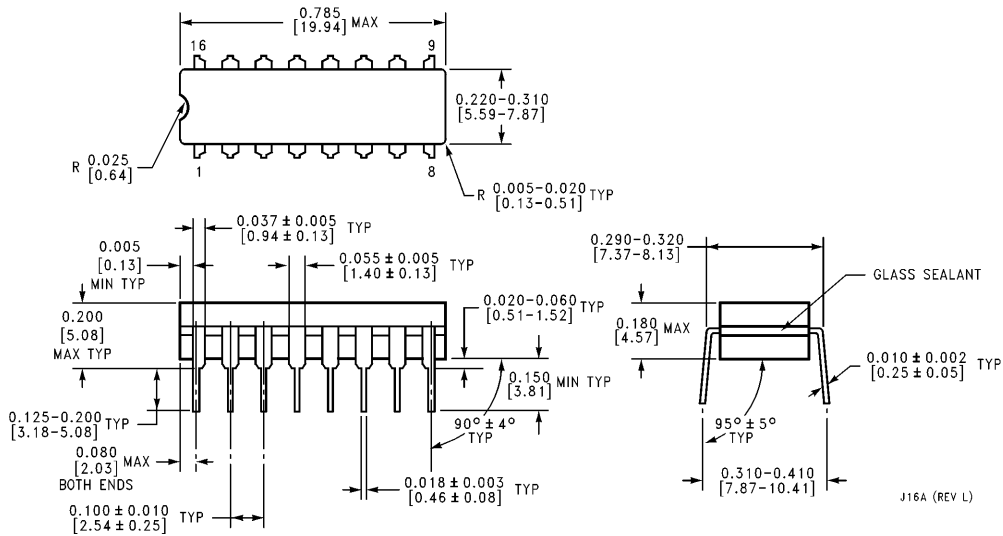
Logic Diagram



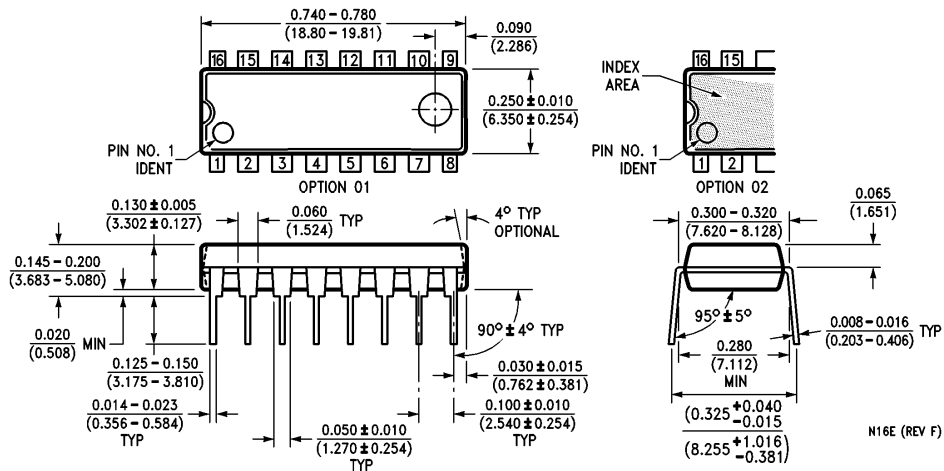
TL/F/6547-2



Physical Dimensions inches (millimeters)

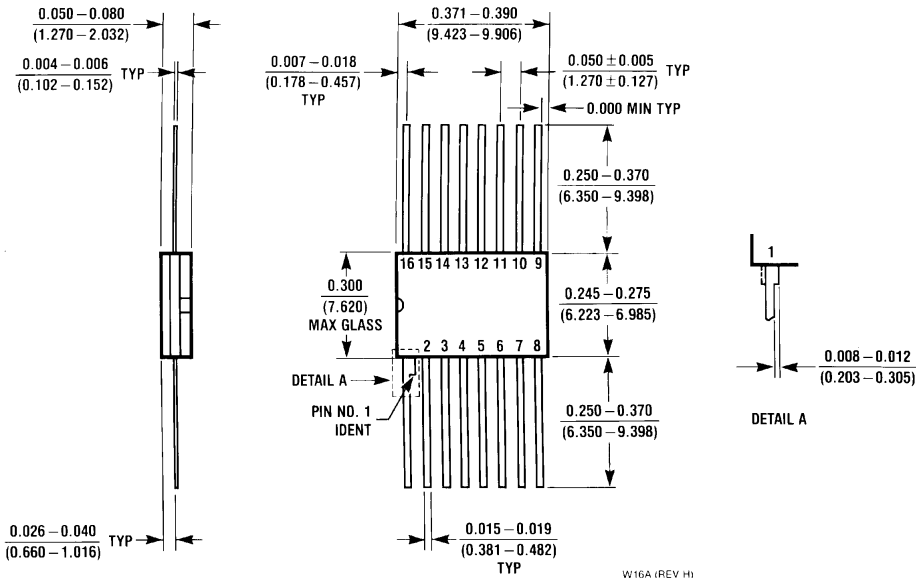


16-Lead Ceramic Dual-In-Line Package (J)
Order Number 54153DMQB or DM54153J
NS Package Number J16A



16-Lead Molded Dual-In-Line Package (N)
Order Number DM74153N
NS Package Number N16E

Physical Dimensions inches (millimeters) (Continued)



16-Lead Ceramic Flat Package (W)
Order Number 54153FMQB or DM54153W
NS Package Number W16A

W16A (REV. H)

LIFE SUPPORT POLICY

NATIONAL'S PRODUCTS ARE NOT AUTHORIZED FOR USE AS CRITICAL COMPONENTS IN LIFE SUPPORT DEVICES OR SYSTEMS WITHOUT THE EXPRESS WRITTEN APPROVAL OF THE PRESIDENT OF NATIONAL SEMICONDUCTOR CORPORATION. As used herein:

1. Life support devices or systems are devices or systems which, (a) are intended for surgical implant into the body, or (b) support or sustain life, and whose failure to perform, when properly used in accordance with instructions for use provided in the labeling, can be reasonably expected to result in a significant injury to the user.
2. A critical component is any component of a life support device or system whose failure to perform can be reasonably expected to cause the failure of the life support device or system, or to affect its safety or effectiveness.



National Semiconductor Corporation
 1111 West Bardin Road
 Arlington, TX 76017
 Tel: 1(800) 272-9959
 Fax: 1(800) 737-7018

National Semiconductor Europe
 Fax: (+49) 0-180-530 85 86
 Email: onjwge@tevm2.nsc.com
 Deutsch Tel: (+49) 0-180-530 85 85
 English Tel: (+49) 0-180-532 78 32
 Français Tel: (+49) 0-180-532 93 58
 Italiano Tel: (+49) 0-180-534 16 80

National Semiconductor Hong Kong Ltd.
 13th Floor, Straight Block,
 Ocean Centre, 5 Canton Rd.
 Tsimshatsui, Kowloon
 Hong Kong
 Tel: (852) 2737-1600
 Fax: (852) 2736-9960

National Semiconductor Japan Ltd.
 Tel: 81-043-299-2309
 Fax: 81-043-299-2408

National does not assume any responsibility for use of any circuitry described, no circuit patent licenses are implied and National reserves the right at any time without notice to change said circuitry and specifications.

This datasheet has been downloaded from:

www.DatasheetCatalog.com

Datasheets for electronic components.

National Semiconductor was acquired by Texas Instruments.

http://www.ti.com/corp/docs/investor_relations/pr_09_23_2011_national_semiconductor.html

This file is the datasheet for the following electronic components:

54153FMQB - <http://www.ti.com/product/54153fmqb?HQS=TI-null-null-dscatalog-df-pf-null-ww>

54153DMQB - <http://www.ti.com/product/54153dmqb?HQS=TI-null-null-dscatalog-df-pf-null-ww>

DM74153N - <http://www.ti.com/product/dm74153n?HQS=TI-null-null-dscatalog-df-pf-null-ww>

DM54153J - <http://www.ti.com/product/dm54153j?HQS=TI-null-null-dscatalog-df-pf-null-ww>

DM54153W - <http://www.ti.com/product/dm54153w?HQS=TI-null-null-dscatalog-df-pf-null-ww>

74153 - <http://www.ti.com/product/74153?HQS=TI-null-null-dscatalog-df-pf-null-ww>



LittleDiode supplies new, hard to find or obsolete electronic components and semiconductors all over the world.

With over two million different components listed you are sure to find the part you need.

Feel free to visit us today at our online store:

LittleDiode.com

Looking forward to providing you with the best possible service.