

DN74LS138

3-line to 8-line Decoders / Demultiplexers

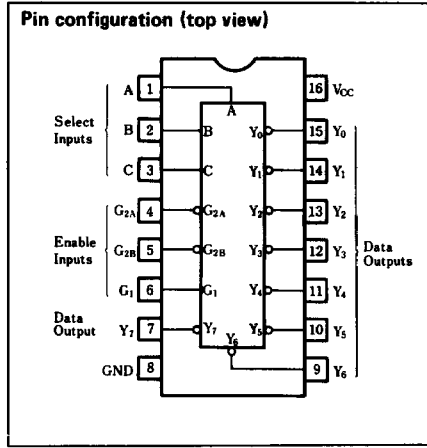
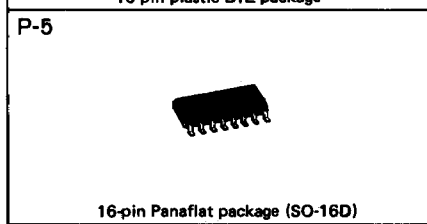
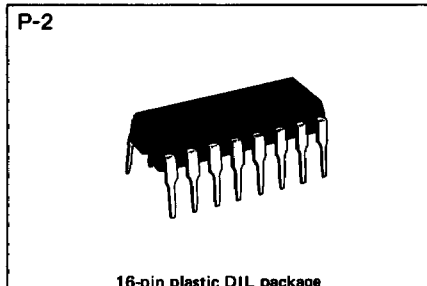
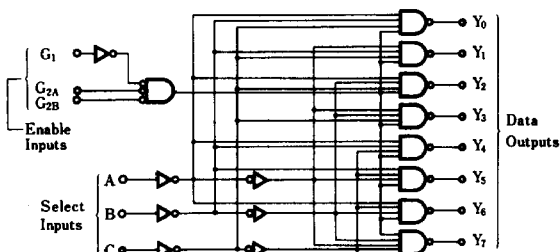
■ Description

DN74LS138 is a 3-bit decimal to octal decoder/demultiplexer with enable inputs.

■ Features

- Three types of enable inputs
- Quaternary to hexadecimal decoder/demultiplexer capability with no externally connected parts
- Wide operating temperature range ($T_a = -20$ to $+75^\circ\text{C}$)

■ Logic diagram



■ Recommended operating conditions

Parameter	Sym	Min	Typ	Max	Unit
Supply voltage	V_{CC}	4.75	5.00	5.25	V
Output current	I_{OH}			-400	μA
	I_{OL}			8	mA
Operating temperature range	T_{opr}	-20	25	75	$^\circ\text{C}$

■ DC characteristics (Ta = -20 ~ +75°C)

Parameter	Sym	Test conditions	Min	Typ*	Max	Unit
Input voltage	V _{IH}		2.0			V
	V _{IL}				0.8	V
Output voltage	V _{OH}	V _{CC} = 4.75 V, V _{IH} = 2 V V _{IL} = 0.8 V, I _{OH} = -400 μA	2.7	3.4		V
	V _{OL1}	V _{CC} = 4.75 V V _{IH} = 2 V, I _{OL} = 4 mA		0.25	0.4	V
	V _{OL2}	V _{CC} = 4.75 V V _{IH} = 2 V, I _{OL} = 8 mA		0.35	0.5	V
Input current	I _{IH}	V _{CC} = 5.25 V V _I = 2.7 V			20	μA
	I _{IL}	V _{CC} = 5.25 V V _I = 0.4 V			-0.4	mA
	I _I	V _{CC} = 5.25 V V _I = 7 V			0.1	mA
Output short circuit current**	I _{OS}	V _{CC} = 5.25 V, V _O = 0 V	-15		-100	mA
Input clamp voltage	V _{IK}	V _{CC} = 4.75 V I _I = -18 mA			-1.5	V
Supply current***	I _{CC}	I _{CC} = 5.25 V		6.3	10	mA

* When constant at V_{CC} = 5 V, Ta = 25°C.

** Only one output at a time short circuited to GND. Also, short circuit time to GND within 1 second.

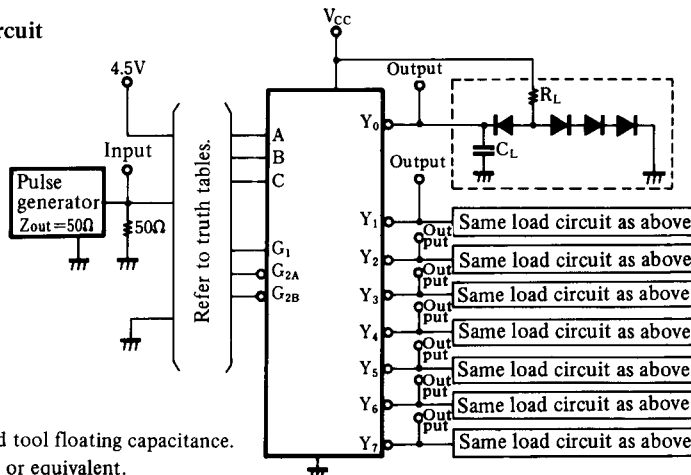
*** Measured with all outputs open and in enable condition.

■ Switching characteristics (V_{CC} = 5 V, Ta = 25°C)

Parameter	Sym	Inputs	Outputs	Delay level	Test conditions	Min	Typ	Max	Unit
Propagation delay time	t _{PLH}	Binary Select A, B, C	Y	2	C _L = 15 pF R _L = 2 kΩ		13	20	ns
	t _{PHL}						27	41	ns
	t _{PLH}			3			18	27	ns
	t _{PHL}						26	39	ns
	t _{PLH}	Enable G _{2A} , G _{2B}	Y	2			12	18	ns
	t _{PHL}						21	32	ns
	t _{PLH}	Enable G ₁		3			17	26	ns
	t _{PHL}						25	38	ns

※ Switching parameter measurement information

1. Measurement circuit



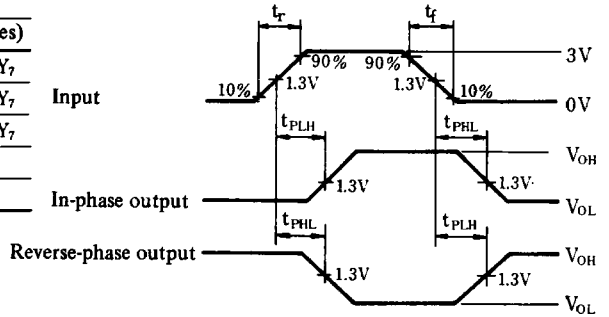
Notes

1. C_L includes probe and tool floating capacitance.
2. Diodes are all MA161 or equivalent.

2. Relationships of inputs/outputs to delay level

Input	Output							
	Delay level (2-stages)				Delay level (3-stages)			
A	Y ₀	Y ₂	Y ₄	Y ₆	Y ₁	Y ₃	Y ₅	Y ₇
B	Y ₀	Y ₁	Y ₄	Y ₅	Y ₂	Y ₃	Y ₆	Y ₇
C	Y ₀	Y ₁	Y ₂	Y ₃	Y ₄	Y ₅	Y ₆	Y ₇
G ₁					Y ₀ ~ Y ₇			
G _{2A} , G _{2B}	Y ₀ ~ Y ₇							

3. Waveforms



Notes

1. Input waveform: $t_r \leq 15\text{ns}$, $t_f \leq 6\text{ns}$, PRR = 1MHz, duty cycle = 50%.

■ Truth tables

Inputs					Outputs							
Enable		Select			Y ₀	Y ₁	Y ₂	Y ₃	Y ₄	Y ₅	Y ₆	Y ₇
G ₁	G ₂ *	C	B	A								
X	H	X	X	X	H	H	H	H	H	H	H	H
L	X	X	X	X	H	H	H	H	H	H	H	H
H	L	L	L	L	L	H	H	H	H	H	H	H
H	L	L	L	H	H	L	H	H	H	H	H	H
H	L	L	H	L	H	H	L	H	H	H	H	H
H	L	L	H	H	H	H	H	L	H	H	H	H
H	L	H	L	L	H	H	H	H	L	H	H	H
H	L	H	L	H	H	H	H	H	H	L	H	H
H	L	H	H	L	H	H	H	H	H	H	L	H
H	L	H	H	H	H	H	H	H	H	H	H	L

Notes

1. * $G_2 = G_{2A} + G_{2B}$
2. H: HIGH voltage level.
L: LOW voltage level.
X: Either HIGH or LOW; doesn't matter.

This datasheet has been downloaded from:

www.DatasheetCatalog.com

Datasheets for electronic components.



LittleDiode supplies new, hard to find or obsolete electronic components and semiconductors all over the world.

With over two million different components listed you are sure to find the part you need.

Feel free to visit us today at our online store:

LittleDiode.com

Looking forward to providing you with the best possible service.