

DS1603 TRI-STATE® Dual Receiver

General Description

The DS16033 is a dual differential TRI-STATE line receiver designed for a broad range of system applications. It features a high input impedance and low input current which reduces the loading effects on a digital transmission line, making it ideal for use in party line systems and general purpose applications like transducer preamplifiers, level translators and comparators.

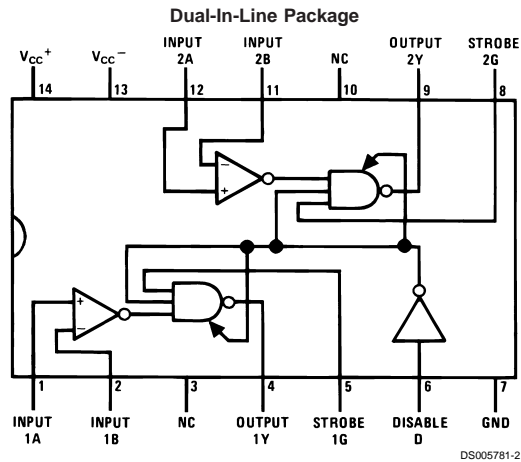
The receivers feature a ± 25 mV input sensitivity specified over a ± 3 V common mode range. Input protection diodes are incorporated in series with the collectors of the differential stage. These diodes are useful in applications that have multiple V_{CC+} supplies or V_{CC+} supplies that are turned off thus avoiding signal clamping. In addition, TTL compatible strobe and control lines are provide for flexibility in the application.

The DS1603 is pin compatible with the DS75107 dual line receiver.

Features

- Diode protected input stage for power "OFF" condition
- 17 ns typ high speed
- TTL compatible
- ± 25 mV input sensitivity
- ± 3 V input common-mode range
- High-input impedance with normal V_{CC} , or $V_{CC} = 0$ V
- Strobes for channel selection
- TRI-STATE outputs for high speed buses

Connection Diagram



Top View

For Complete Military 883 Specifications, See RETS Data Sheet.
Order Number: DS1603J/883 or DS1603W/883
See NS Package Number J14A

Absolute Maximum Ratings (Note 2)

If Military/Aerospace specified devices are required, please contact the National Semiconductor Sales Office/Distributors for availability and specifications.

Supply Voltage (V_{CC}^+)	7V	Common Mode Input Voltage	$\pm 5V$
Supply Voltage (V_{CC}^-)	-7V	Strobe Input Voltage	5.5V
Differential Input Voltage	$\pm 6V$	Storage Temperature Range	-65°C to +150°C
		Maximum Power Dissipation (Note 1) at 25°C	
		Cavity Package	1308 mW
		Molded Package	1207 mW
		Lead Temperature (Soldering, 4 sec)	260°C

Operating Conditions

	DS1603		
	Min	Nom	Max
Supply Voltage V_{CC}^+	4.5V	5V	5.5V
Supply Voltage V_{CC}^-	-4.5V	-5V	-5.5V
Operating Temperature Range	-55°C	to	+125°C

Note 1: Derate cavity package 8.7 mW/°C; derate molded package 9.7 mW/°C above 25°C.

Electrical Characteristics (Notes 3, 4)

$$T_{MIN} \leq T_A \leq T_{MAX}$$

Symbol	Parameter	Conditions	Min	Typ	Max	Units
I_{IH}	High Level Input Current into 1A, 1B, 2A or 2B	$V_{CC}^+ = \text{Max}, V_{CC}^- = \text{Max},$ $V_{ID} = 0.5V, V_{IC} = -3V \text{ to } 3V$		30	75	μA
I_{IL}	Low Level Input Current into 1A, 1B, 2A or 2B	$V_{CC}^+ = \text{Max}, V_{CC}^- = \text{Max},$ $V_{ID} = -2V, V_{IC} = -3V \text{ to } 3V$			-10	μA
I_{IH}	High Level Input Current into 1G, 2G or D	$V_{CC}^+ = \text{Max}$ $V_{CC}^- = \text{Max}$	$V_{IH(S)} = 2.4V$ $V_{IH(S)} = \text{Max } V_{CC}^+$		40 1	μA mA
I_{IL}	Low Level Input Current into D	$V_{CC}^+ = \text{Max}, V_{CC}^- = \text{Max},$ $V_{IL(D)} = 0.4V$			-1.6	mA
I_{IL}	Low Level Input Current into 1G or 2G	$V_{CC}^+ = \text{Max},$ $V_{CC}^- = \text{Max},$ $V_{IL(G)} = 0.4V$	$V_{IH(D)} = 2V$ $V_{IL(D)} = 0.8V$		-40 -1.6	μA mA
V_{OH}	High Level Output Voltage	$V_{CC}^+ = \text{Min}, V_{CC}^- = \text{Min},$ $I_{LOAD} = -2 \text{ mA}, V_{ID} = 25 \text{ mV},$ $V_{IL(D)} = 0.8V, V_{IC} = -3V \text{ to } 3V$	2.4			V
V_{OL}	Low Level Output Voltage	$V_{CC}^+ = \text{Min}, V_{CC}^- = \text{Min},$ $I_{SINK} = 16 \text{ mA}, V_{ID} = -25 \text{ mV},$ $V_{IL(D)} = 0.8V, V_{IC} = -3V \text{ to } 3V$			0.4	V
I_{OD}	Output Disable Current	$V_{CC}^+ = \text{Max},$ $V_{CC}^- = \text{Max},$ $V_{IH(D)} = 2V$	$V_{OUT} = 2.4V$ $V_{OUT} = 0.4V$		40 -40	μA μA
I_{OS}	Short Circuit Output Current	$V_{CC}^+ = \text{Max}, V_{CC}^- = \text{Max},$ $V_{IL(D)} = 0.8V \text{ (Note 5)}$	-18		-70	mA
I_{CCH}^+	High Logic Level Supply Current from V_{CC}^+	$V_{CC}^+ = \text{Max}, V_{CC}^- = \text{Max},$ $V_{ID} = 25 \text{ mV}, T_A = 25^\circ C$		28	40	mA
I_{CCH}^-	High Logic Level Supply Current from V_{CC}^-	$V_{CC}^+ = \text{Max}, V_{CC}^- = \text{Max},$ $V_{ID} = 25 \text{ mV}, T_A = 25^\circ C$		-8.4	-15	mA
V_I	Input Clamp Voltage on G or D	$V_{CC}^+ = \text{Min}, V_{CC}^- = \text{Min},$ $I_{IN} = -12 \text{ mA}, T_A = 25^\circ C$		-1	-1.5	V

Note 2: "Absolute Maximum Ratings" are those values beyond which the safety of the device cannot be guaranteed. Except for "Operating Temperature Range" they are not meant to imply that the devices should be operated at these limits. The table of "Electrical Characteristics" provides conditions for actual device operation.

Note 3: Unless otherwise specified min/max limits apply across the -55°C to +125°C temperature range for the DS1603 and across the 0°C to +70°C range for the DS3603. All typical values are for $T_A = 25^\circ C$ and $V_{CC} = 5V$.

Electrical Characteristics (Notes 3, 4) (Continued)

Note 4: All current into device pins shown as positive, out of device pins as negative, all voltages referenced to ground unless otherwise noted. All values shown as max or min on absolute value basis.

Note 5: Only one output at a time should be shorted.

Switching Characteristics

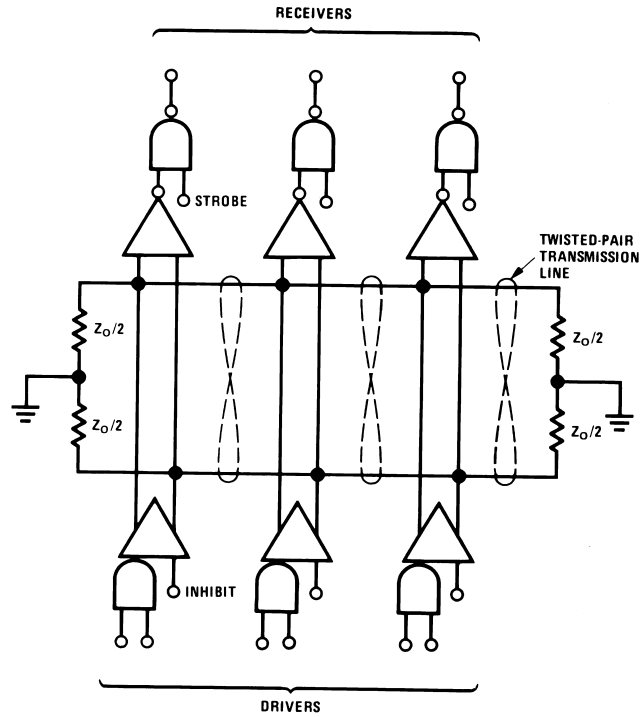
$V_{CC^+} = 5V$, $V_{CC^-} = -5V$, $T_A = 25^\circ C$

Symbol	Parameter	Conditions	Min	Typ	Max	Units
$t_{PLH(D)}$	Propagation Delay Time, Low-to-High Level, from Differential Inputs A and B to Output	$R_L = 390\Omega$, $C_L = 50\text{ pF}$, (Note 6)		17	25	ns
$t_{PHL(D)}$	Propagation Delay Time, High-to-Low Level, from Differential Inputs A and B to Output	$R_L = 390\Omega$, $C_L = 50\text{ pF}$, (Note 6)		17	25	ns
$t_{PLH(S)}$	Propagation Delay Time, Low-to-High Level, from Strobe Input G to Output	$R_L = 390\Omega$, $C_L = 50\text{ pF}$		10	15	ns
$t_{PHL(S)}$	Propagation Delay Time, High-to-Low Level, from Strobe Input G to Output	$R_L = 390\Omega$, $C_L = 50\text{ pF}$		8	15	ns
t_{1H}	Disable Low-to-High to Output High to Off	$R_L = 390\Omega$, $C_L = 5\text{ pF}$			20	ns
t_{0H}	Disable Low-to-High to Output Low to Off	$R_L = 390\Omega$, $C_L = 5\text{ pF}$			30	ns
t_{H1}	Disable High-to-Low to Output Off to High	$R_L = 1k\text{ to }0V$, $C_L = 50\text{ pF}$			25	ns
t_{H0}	Disable High-to-Low to Output Off to Low	$R_L = 390\Omega$, $C_L = 50\text{ pF}$			25	ns

Note 6: Differential input is +100 mV to -100 mV pulse. Delays read from 0 mV on input to 1.5V on output.

Typical Application

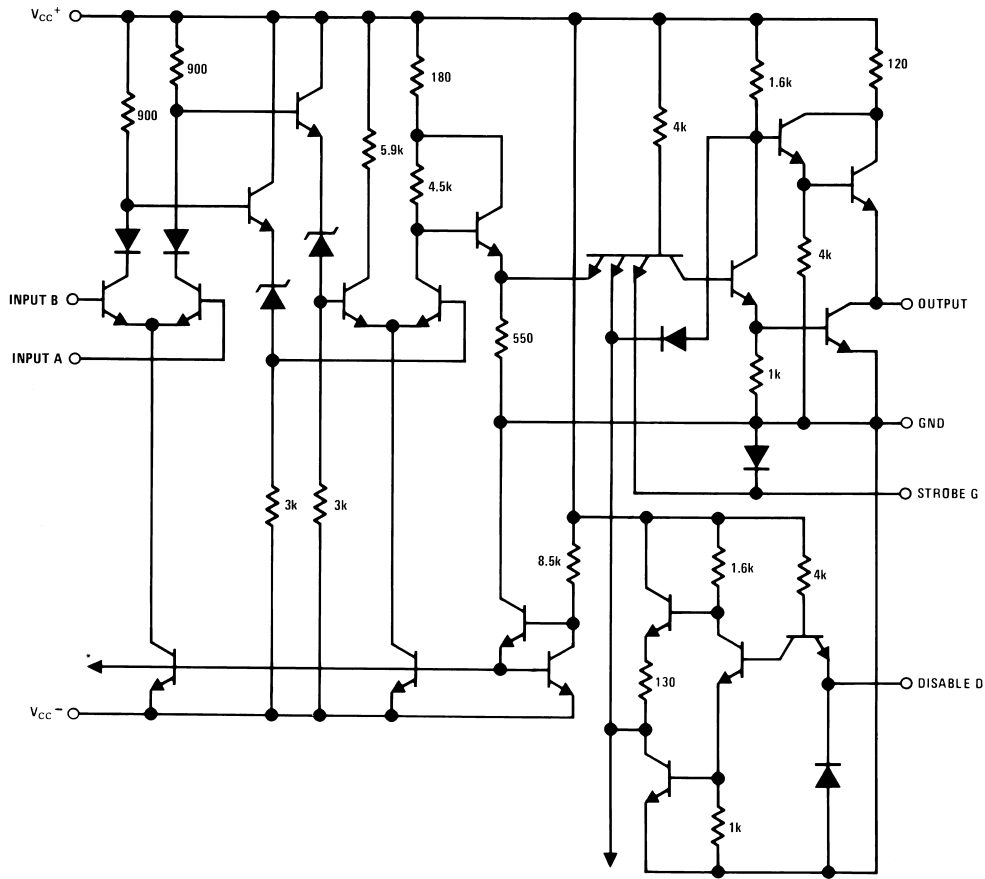
Line Receiver Used in a Party-Line or Data-Bus System



DS005781-3

Line receivers are
DS75107/DS75108
or DS3603
Line drivers are
SN75109/ μ A75110/DS75110
or DS8831

Schematic Diagram (Note 7)

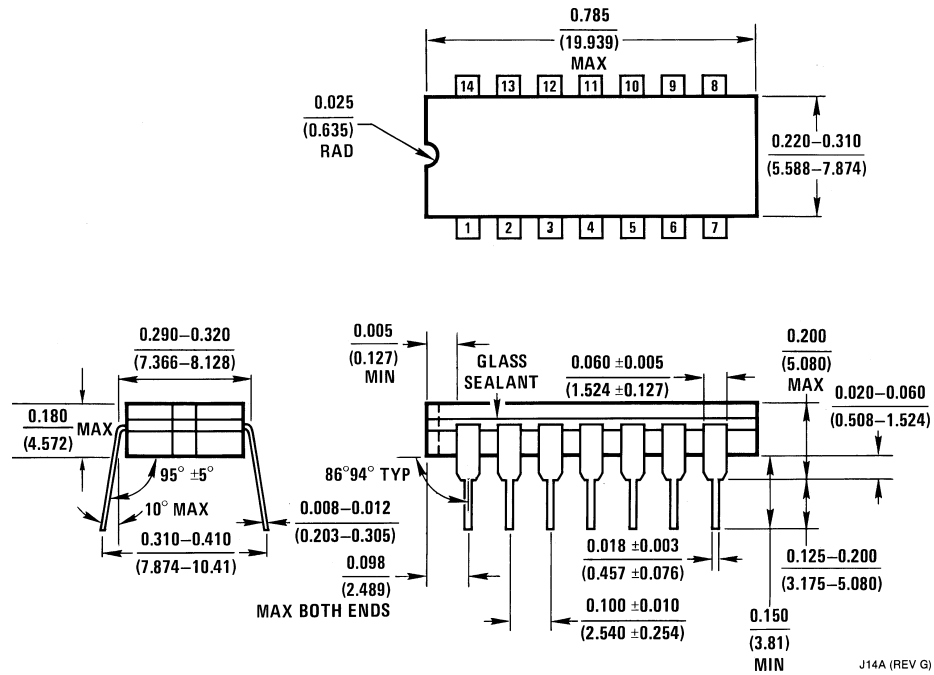


DS005781-6

Note 7: 1/2 of the dual circuit is shown.

Note 8: *Indicates connections common to second half of dual circuit.

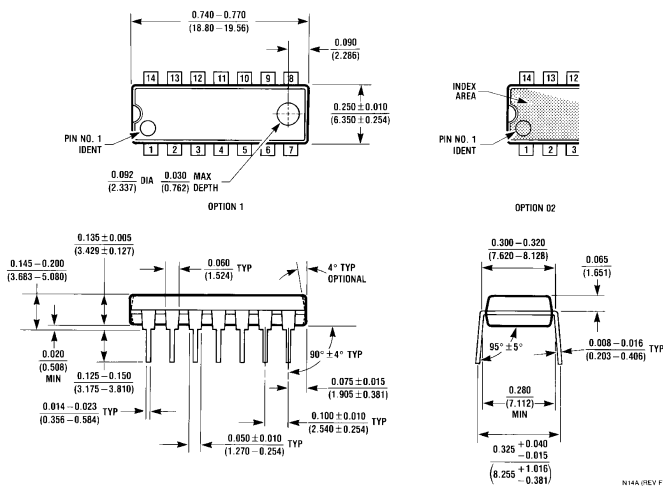
Physical Dimensions inches (millimeters) unless otherwise noted



Ceramic Dual-In-Line Package (J)
Order Number DS1603J
NS Package Number J14A

J14A (REV G)

Physical Dimensions inches (millimeters) unless otherwise noted (Continued)



Moulded Dual-In-Line Package (N)
Order Number DS3603N
NS Package Number N14A

LIFE SUPPORT POLICY

NATIONAL'S PRODUCTS ARE NOT AUTHORIZED FOR USE AS CRITICAL COMPONENTS IN LIFE SUPPORT DEVICES OR SYSTEMS WITHOUT THE EXPRESS WRITTEN APPROVAL OF THE PRESIDENT AND GENERAL COUNSEL OF NATIONAL SEMICONDUCTOR CORPORATION. As used herein:

1. Life support devices or systems are devices or systems which, (a) are intended for surgical implant into the body, or (b) support or sustain life, and whose failure to perform when properly used in accordance with instructions for use provided in the labeling, can be reasonably expected to result in a significant injury to the user.
2. A critical component is any component of a life support device or system whose failure to perform can be reasonably expected to cause the failure of the life support device or system, or to affect its safety or effectiveness.

National Semiconductor Corporation
 Americas
 Tel: 1-800-272-9959
 Fax: 1-800-737-7018
 Email: support@nsc.com

National Semiconductor Europe
 Fax: +49 (0) 1 80-530 85 86
 Email: europe.support@nsc.com
 Deutsch Tel: +49 (0) 1 80-530 85 85
 English Tel: +49 (0) 1 80-532 78 32
 Français Tel: +49 (0) 1 80-532 93 58
 Italiano Tel: +49 (0) 1 80-534 16 80

National Semiconductor Asia Pacific Customer Response Group
 Tel: 65-2544466
 Fax: 65-2504466
 Email: sea.support@nsc.com

National Semiconductor Japan Ltd.
 Tel: 81-3-5639-7560
 Fax: 81-3-5639-7507

www.national.com

This datasheet has been downloaded from:

www.DatasheetCatalog.com

Datasheets for electronic components.

National Semiconductor was acquired by Texas Instruments.

http://www.ti.com/corp/docs/investor_relations/pr_09_23_2011_national_semiconductor.html

This file is the datasheet for the following electronic components:

DS3603N - <http://www.ti.com/product/ds3603n?HQS=TI-null-null-dscatalog-df-pf-null-ww>



LittleDiode supplies new, hard to find or obsolete electronic components and semiconductors all over the world.

With over two million different components listed you are sure to find the part you need.

Feel free to visit us today at our online store:

LittleDiode.com

Looking forward to providing you with the best possible service.