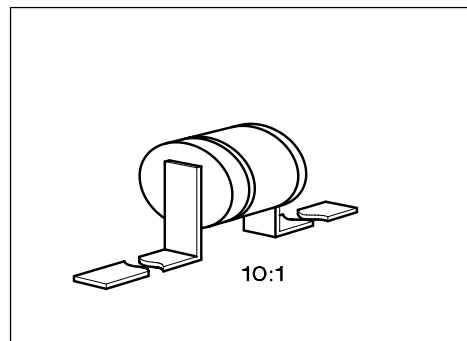


## Silicon Schottky Diodes

## BAT 15- ... 4

- Low barrier diodes
- For mixer applications
- Hermetically sealed ceramic packages
- For frequencies up to 40 GHz



**ESD:** Electrostatic discharge sensitive device, observe handling precautions!

Type	Frequency band (GHz)	Ordering Code	Pin Configuration	Package <sup>1)</sup>
BAT 15-014	... 4 (S)	Q62702-D3429		T1
BAT 15-044	... 8 (C)	Q62702-D3431		
BAT 15-074	... 12.4 (X)	Q62702-D3433		
BAT 15-104	... 18 (Ku)	Q62702-D3435		
BAT 15-124	... 40 (Ka)	Q62702-D3437		

### Maximum Ratings

Parameter	Symbol	Values	Unit
Reverse voltage	$V_R$	3	V
Forward current	$I_F$	100 50	mA
Junction temperature	$T_j$	175	°C
Storage temperature range	$T_{stg}$	- 65 ... + 150	
Operating temperature range	$T_{op}$	- 65 ... + 150	

1) For detailed information see chapter Package Outlines.

## Electrical Characteristics

at  $T_A = 25\text{ °C}$ , unless otherwise specified.

Parameter	Symbol	Values			Unit
		min.	typ.	max.	

### DC Characteristics

Breakdown voltage $I_R = 10\text{ }\mu\text{A}$	$V_{(BR)}$	3	–	–	V	
Forward voltage $I_F = 1\text{ mA}$	$V_F$				V	
BAT 15-014		–	0.26	–		
BAT 15-044		–	0.28	–		
BAT 15-074		–	0.29	–		
BAT 15-104		–	0.30	–		
BAT 15-124		–	0.31	–		
$I_F = 10\text{ mA}$						
BAT 15-014		–	0.35	–		
BAT 15-044		–	0.39	–		
BAT 15-074		–	0.42	–		
BAT 15-104	–	0.44	–			
BAT 15-124	–	0.45	–			
Diode capacitance $f = 1\text{ MHz}$ , $V_R = 0$	$C_T$				pF	
BAT 15-014		–	0.25	0.35		
BAT 15-044		–	0.20	0.25		
BAT 15-074		–	0.17	0.20		
BAT 15-104		–	0.13	0.15		
BAT 15-124		–	0.10	0.12		
Case capacitance	$C_C$	–	0.1	–		
Noise figure (single sideband) IF amplifier noise $F_{IF} = 1.5\text{ dB}$ , $P_{LO} = 3\text{ dBm}$ , $f_{IF} = 10.7\text{ MHz}$	$F_{SSB}$				dB	
$f = 3\text{ GHz}$		BAT 15-014	–	5.5		–
$f = 6\text{ GHz}$		BAT 15-044	–	5.5		–
$f = 9.7\text{ GHz}$		BAT 15-074	–	5.5		–
$f = 16\text{ GHz}$		BAT 15-104	–	6.0		–
		BAT 15-124	–	9.0		–
Differential forward resistance $I_F = 10/50\text{ mA}$	$r_f$				$\Omega$	
BAT 15-014		–	3.0	–		
BAT 15-044		–	3.5	–		
BAT 15-074		–	4.5	–		
BAT 15-104		–	5.5	–		
BAT 15-124		–	8.0	–		



LittleDiode supplies new, hard to find or obsolete electronic components and semiconductors all over the world.

With over two million different components listed you are sure to find the part you need.

Feel free to visit us today at our online store:

[LittleDiode.com](http://LittleDiode.com)

Looking forward to providing you with the best possible service.