

CD54FCT245, CD74FCT245

BiCMOS FCT Interface Logic, Octal-Bus Tranceivers, Three-State

Features

- Buffered Inputs
- Typical Propagation Delay: 5.0ns at $V_{CC} = 5V$, $T_A = 25^\circ C$
- Noninverting
- SCR Latchup Resistant BiCMOS Process and Circuit Design
- Speed of Bipolar FAST™/AS/S
- 64mA Output Sink Current (74 Series)
- 48mA Output Sink Current (54 Series)
- Output Voltage Swing Limited to 3.7V at $V_{CC} = 5V$
- Controlled Output Edge Rates
- Input/Output Isolation to V_{CC}
- BiCMOS Technology with Low Quiescent Power

Description

The CD54/74FCT245 octal bus transceiver uses a small geometry BiCMOS technology. The output stage is a combination of bipolar and CMOS transistors that limits the output HIGH level to two diode drops below V_{CC} . This resultant lowering of output swing (0V to 3.7V) reduces power bus ringing (a source of EMI) and minimizes V_{CC} bounce and ground bounce and their effects during simultaneous output switching. The output configuration also enhances switching speed and is capable of sinking 48mA to 64mA.

The CD54/74FCT245 is a noninverting, three-state, bidirectional transceiver/buffer intended for two-way transmission from "A" bus to "B" bus or "B" bus to "A" bus. The logic level present on the Direction Input (DIR) determines the data direction. When the Output Enable input is HIGH, the outputs are in the high impedance state.

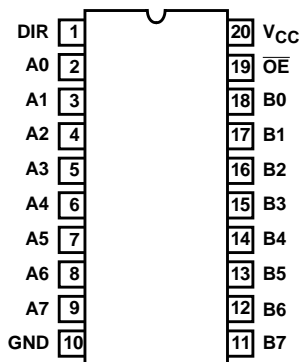
Ordering Information

PART NUMBER	TEMP. RANGE (°C)	PACKAGE	PKG. NO.
CD74FCT245E	0 to 70	20 Ld PDIP	E20.3
CD74FCT245M	0 to 70	20 Ld SOIC	M20.3
CD54FCT245E	-55 to 125	20 Ld PDIP	E20.3

NOTE: When ordering the suffix M and SM packages, use the entire part number. Add the suffix 96 to obtain the variant in the tape and reel.

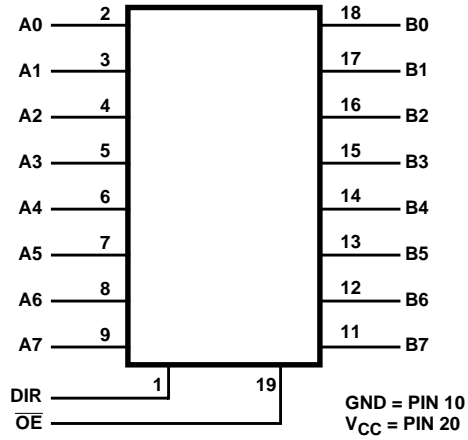
Pinout

CD54FCT245, CD74FCT245
(PDIP, SOIC)
TOP VIEW



CD54FCT245, CD74FCT245

Functional Diagram



TRUTH TABLE (NOTE 1)

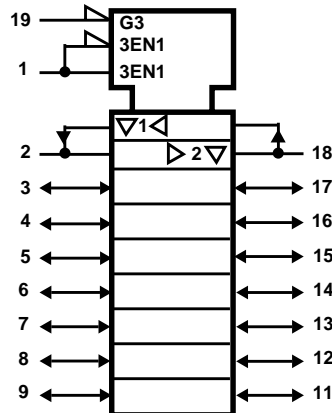
CONTROL INPUTS		OPERATION
\overline{OE}	DIR	
L	L	B Data to A Bus
L	H	A Data to B Bus
H	X	Isolation

NOTES:

1. H = High Voltage Level
L = Low Voltage Level
X = Irrelevant
2. To prevent excess currents in the High-Z (isolation) modes, all I/O terminals should be terminated with 10kΩ to 1 MΩ resistors.

IEC Logic Symbol

CD74FCT245, CD54FCT245



CD54FCT245, CD74FCT245

Absolute Maximum Ratings

DC Supply Voltage (V_{CC})	-0.5V to 6.0V
DC Input Diode Current, I_{IK} (for $V_I < -0.5V$)	-20mA
DC Output Diode Current, I_{OK} (for $V_O < -0.5V$)	-50mA
DC Output Sink Current per Output Pin, I_O	70mA
DC Output Source Current per Output Pin, I_O	-30mA
DC V_{CC} Current (I_{CC})	140mA
DC Ground Current (I_{GND})	528mA

Thermal Information

Thermal Resistance (Typical, Note 3)	θ_{JA} ($^{\circ}C/W$)
PDIP Package	69
SOIC Package	58
Maximum Junction Temperature	150 $^{\circ}C$
Maximum Storage Temperature Range	-65 $^{\circ}C$ to 150 $^{\circ}C$
Maximum Lead Temperature (Soldering 10s)	300 $^{\circ}C$ (SOIC Lead Tips Only)

Operating Conditions

Operating Temperature Range (T_A)	-55 $^{\circ}C$ to 125 $^{\circ}C$
Supply Voltage Range, V_{CC}	
CD74 Series, $T_A = 0^{\circ}C$ to 70 $^{\circ}C$	4.75V to 5.25V
CD54 Series, $T_A = -55^{\circ}C$ to 125 $^{\circ}C$	4.5V to 5.5V
DC Input Voltage, V_I	0 to V_{CC}
DC Output Voltage, V_O	0 to $\leq V_{CC}$
Input Rise and Fall Slew Rate, dt/dv	0 to 10ns/V

CAUTION: Stresses above those listed in "Absolute Maximum Ratings" may cause permanent damage to the device. This is a stress only rating and operation of the device at these or any other conditions above those indicated in the operational sections of this specification is not implied.

NOTE:

- θ_{JA} is calculated in accordance with JESD 51.

Electrical Specifications

74FCT Commercial Temperature Range 0 $^{\circ}C$ to 70 $^{\circ}C$, V_{CC} Max = 5.25V, V_{CC} Min = 4.75V
 54FCT Extended Industrial Temperature Range -55 $^{\circ}C$ to 125 $^{\circ}C$; V_{CC} Max = 5.5V, V_{CC} Min = 4.5V

PARAMETER	SYMBOL	TEST CONDITIONS		V_{CC} (V)	AMBIENT TEMPERATURE (T_A)						UNITS
					25 $^{\circ}C$		0 $^{\circ}C$ TO 70 $^{\circ}C$		-55 $^{\circ}C$ TO 125 $^{\circ}C$		
		V_I	I_O (mA)		MIN	MAX	MIN	MAX	MIN	MAX	
High Level Input Voltage	V_{IH}			4.5 to 5.5	2	-	2	-	2	-	V
Low Level Input Voltage	V_{IL}			4.5 to 5.5	-	0.8	-	0.8	-	0.8	V
High Level Output Voltage	V_{OH}	V_{IH} or	-15	Min	2.4	-	2.4	-	-	-	V
		V_{IL}	-12	Min	2.4	-	-	-	2.4	-	V
Low Level Output Voltage	V_{OL}	V_{IH} or	64	Min	-	0.55	-	0.55	-	-	V
		V_{IL}	48	Min	-	0.55	-	-	-	0.55	V
High Level Input Current	I_{IH}	V_{CC}		Max	-	0.1	-	1	-	1	μA
Low Level Input Current	I_{IL}	GND		Max	-	-0.1	-	-1	-	-1	μA
Three-State Leakage Current	I_{OZH}	V_{CC}		Max	-	0.5	-	10	-	10	μA
	I_{OZL}	GND		Max	-	-0.5	-	-10	-	-10	μA
Short Circuit Output Current (Note 4)	I_{OS}	V_{CC} or GND $V_O = 0$		Max	-60	-	-60	-	-60	-	mA
Input Clamp Voltage	V_{IK}	V_{CC} or GND	-18	Min	-	-1.2	-	-1.2	-	-1.2	V
Quiescent Supply Current, MSI	I_{CC}	V_{CC} or GND	0	Max	-	8	-	80	-	500	μA
Additional Quiescent Supply Current per Input Pin TTL Inputs High, 1 Unit Load	ΔI_{CC}	3.4V (Note 5)		Max	-	1.6	-	1.6	-	2	mA

NOTES:

- Not more than one output should be shorted at one time. Test duration should not exceed 100ms.
- Inputs that are not measured are at V_{CC} or GND.
- FCT Input Loading: All inputs are 1 unit load. Unit load is ΔI_{CC} limit specified in Static Characteristics Chart, e.g., 1.6mA Max at 70 $^{\circ}C$.

CD54FCT245, CD74FCT245

Switching Specifications $t_r, t_f = 2.5\text{ns}, C_L = 50\text{pF}, R_L$ - See Figure 3

PARAMETER	SYMBOL	V_{CC} (V)	AMBIENT TEMPERATURE (T_A)							UNITS
			25°C	0°C TO 70°C			-55°C TO 125°C			
			TYP	MIN	TYP	MAX	MIN	TYP	MAX	
Propagation Delays Data to Outputs)	t_{PLH}, t_{PHL}	5	5	1.5	-	7	1.5	-	7.5	ns
Output Enable to Output	t_{pZL}, t_{pZH}	5	6	1.5	-	9.5	1.5	-	10	ns
Output Disable to Output	t_{pLZ}, t_{pHZ}	5	6	1.5	-	7.5	1.5	-	10	ns
Power Dissipation Capacitance	C_{PD}	-	49	-	49	-	-	49	-	pF
Min (Valley) V_{OHV} During Switching of Other Outputs (Output Under Test Not Switching)	V_{OHV}	5	0.5	-	-	-	-	-	-	V
Max (Peak) V_{OLP} During Switching of Other Outputs (Output Under Test Not Switching)	V_{OLP}	5	1	-	-	-	-	-	-	V
Input Capacitance	C_I	-	-	-	-	10	-	-	10	pF
Input/Output Capacitance	$C_{I/O}$	-	-	-	-	15	-	-	15	pF

NOTES:

7. 5V: Min is at 5.5V, Max is at 4.5V.

5V: Min is at 5.25V for 0°C to 70°C, Max is at 4.75V for 0°C to 70°C, Typ is at 5V.

8. C_{PD} , measured per function, is used to determine the dynamic power consumption.

P_D (per package) = $V_{CC} I_{CC} + \sum (V_{CC}^2 f_i C_{PD} + V_O^2 f_O C_L + V_{CC} \Delta I_{CC} D)$ where:

V_{CC} = supply voltage

ΔI_{CC} = flow through current x unit load

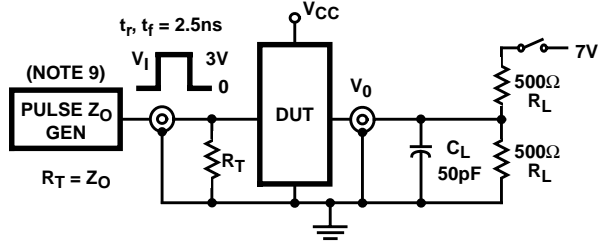
C_L = output load capacitance

D = duty cycle of input high

f_O = output frequency

f_i = input frequency

Test Circuits and Waveforms



NOTE:

9. Pulse Generator for All Pulses: Rate $\leq 1.0\text{MHz}$; $Z_{OUT} \leq 50\Omega$; $t_f, t_r \leq 2.5\text{ns}$.

FIGURE 1. TEST CIRCUIT

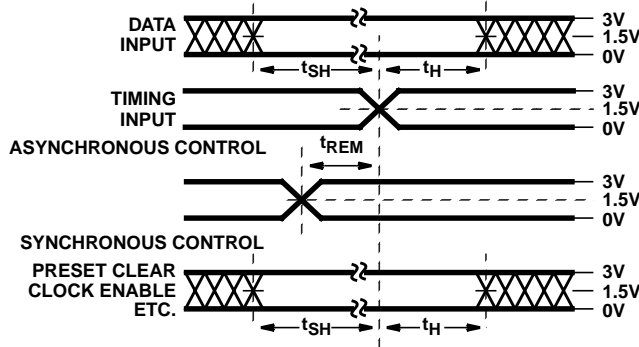


FIGURE 2. SETUP, HOLD, AND RELEASE TIMING

SWITCH POSITION	
TEST	SWITCH
t_{PLZ}, t_{PZL} , Open Drain	Closed
$t_{PHZ}, t_{PZH}, t_{PLH}, t_{PHL}$	Open

DEFINITIONS:

C_L = Load capacitance, includes jig and probe capacitance.

R_T = Termination resistance, should be equal to Z_{OUT} of the Pulse Generator.

$V_{IN} = 0V$ to $3V$.

Input: $t_r = t_f = 2.5\text{ns}$ (10% to 90%), unless otherwise specified

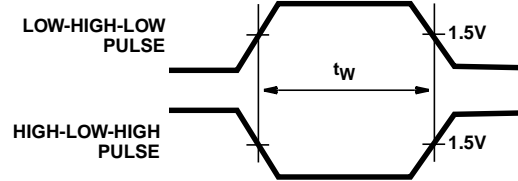


FIGURE 3. PULSE WIDTH

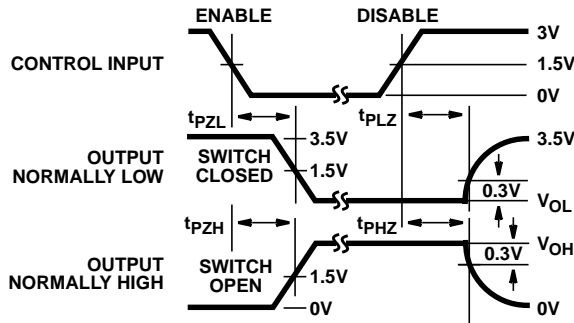


FIGURE 4. ENABLE AND DISABLE TIMING

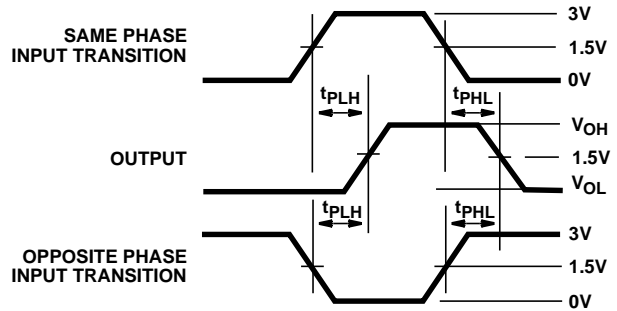
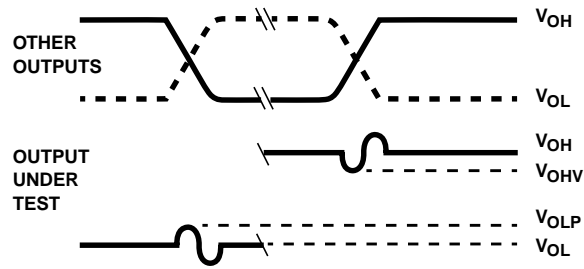


FIGURE 5. PROPAGATION DELAY

Test Circuits and Waveforms (Continued)



NOTES:

10. V_{OLP} is measured with respect to a ground reference near the output under test. V_{OHV} is measured with respect to V_{OH} .
11. Input pulses have the following characteristics:
 $P_{RR} \leq 1\text{MHz}$, $t_r = 2.5\text{ns}$, $t_f = 2.5\text{ns}$, skew 1ns.
12. R.F. fixture with 700MHz design rules required. IC should be soldered into test board and bypassed with $0.1\mu\text{F}$ capacitor. Scope and probes require 700MHz bandwidth.

FIGURE 6. SIMULTANEOUS SWITCHING TRANSIENT WAVEFORMS

IMPORTANT NOTICE

Texas Instruments and its subsidiaries (TI) reserve the right to make changes to their products or to discontinue any product or service without notice, and advise customers to obtain the latest version of relevant information to verify, before placing orders, that information being relied on is current and complete. All products are sold subject to the terms and conditions of sale supplied at the time of order acknowledgement, including those pertaining to warranty, patent infringement, and limitation of liability.

TI warrants performance of its semiconductor products to the specifications applicable at the time of sale in accordance with TI's standard warranty. Testing and other quality control techniques are utilized to the extent TI deems necessary to support this warranty. Specific testing of all parameters of each device is not necessarily performed, except those mandated by government requirements.

CERTAIN APPLICATIONS USING SEMICONDUCTOR PRODUCTS MAY INVOLVE POTENTIAL RISKS OF DEATH, PERSONAL INJURY, OR SEVERE PROPERTY OR ENVIRONMENTAL DAMAGE ("CRITICAL APPLICATIONS"). TI SEMICONDUCTOR PRODUCTS ARE NOT DESIGNED, AUTHORIZED, OR WARRANTED TO BE SUITABLE FOR USE IN LIFE-SUPPORT DEVICES OR SYSTEMS OR OTHER CRITICAL APPLICATIONS. INCLUSION OF TI PRODUCTS IN SUCH APPLICATIONS IS UNDERSTOOD TO BE FULLY AT THE CUSTOMER'S RISK.

In order to minimize risks associated with the customer's applications, adequate design and operating safeguards must be provided by the customer to minimize inherent or procedural hazards.

TI assumes no liability for applications assistance or customer product design. TI does not warrant or represent that any license, either express or implied, is granted under any patent right, copyright, mask work right, or other intellectual property right of TI covering or relating to any combination, machine, or process in which such semiconductor products or services might be or are used. TI's publication of information regarding any third party's products or services does not constitute TI's approval, warranty or endorsement thereof.

This datasheet has been downloaded from:

www.DatasheetCatalog.com

Datasheets for electronic components.

Texas Instruments

<http://www.ti.com>

This file is the datasheet for the following electronic components:

CD54FCT245E - <http://www.ti.com/product/cd54fct245e?HQS=TI-null-null-dscatalog-df-pf-null-ww>

CD54FCT245 - <http://www.ti.com/product/cd54fct245?HQS=TI-null-null-dscatalog-df-pf-null-ww>



LittleDiode supplies new, hard to find or obsolete electronic components and semiconductors all over the world.

With over two million different components listed you are sure to find the part you need.

Feel free to visit us today at our online store:

LittleDiode.com

Looking forward to providing you with the best possible service.