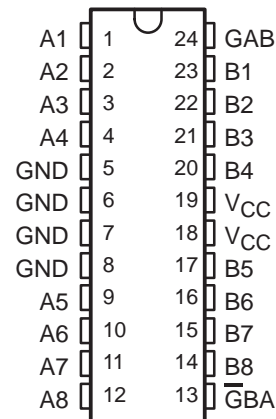


74ACT11623 OCTAL BUS TRANSCEIVER WITH 3-STATE OUTPUTS

SCAS059A – D2957, JULY 1987 – REVISED APRIL 1993

- Local Bus-Latch Capability
- Inputs Are TTL-Voltage Compatible
- Flow-Through Architecture Optimizes PCB Layout
- Center-Pin V_{CC} and GND Configurations Minimize High-Speed Switching Noise
- EPIC™ (Enhanced-Performance Implanted CMOS) 1- μ m Process
- 500-mA Typical Latch-Up Immunity at 125°C
- Package Options Include Plastic Small-Outline Packages and Standard Plastic 300-mil DIPs

DW OR NT PACKAGE
(TOP VIEW)



description

The 74ACT11623 is designed for asynchronous two-way communication between data buses. The control function implementation allows for maximum flexibility in timing.

The device allows data transmission from the A bus to the B bus or from the B bus to the A bus depending upon the logic levels at the enable inputs ($\overline{G}BA$ and GAB). The enable inputs can be used to disable the device so that the buses are effectively isolated.

The dual-enable configuration gives these devices the capability to store data by simultaneous enabling of $\overline{G}BA$ and GAB. Each output reinforces its input in this transceiver configuration. Thus, when both control inputs are enabled and all other data sources to the two sets of bus lines are at high impedance, both sets of bus lines (16 in all) will remain at their last states. The 8-bit codes appearing on the two sets of buses will be identical for the 74ACT11623.

The 74ACT11623 is characterized for operation from – 40°C to 85°C.

FUNCTION TABLE

ENABLE INPUTS		OPERATION
$\overline{G}BA$	GAB	
L	L	B data to A bus
H	H	A data to B bus
H	L	Isolation
L	H	B data to A bus, A data to B bus

EPIC is a trademark of Texas Instruments Incorporated.

PRODUCTION DATA information is current as of publication date. Products conform to specifications per the terms of Texas Instruments standard warranty. Production processing does not necessarily include testing of all parameters.



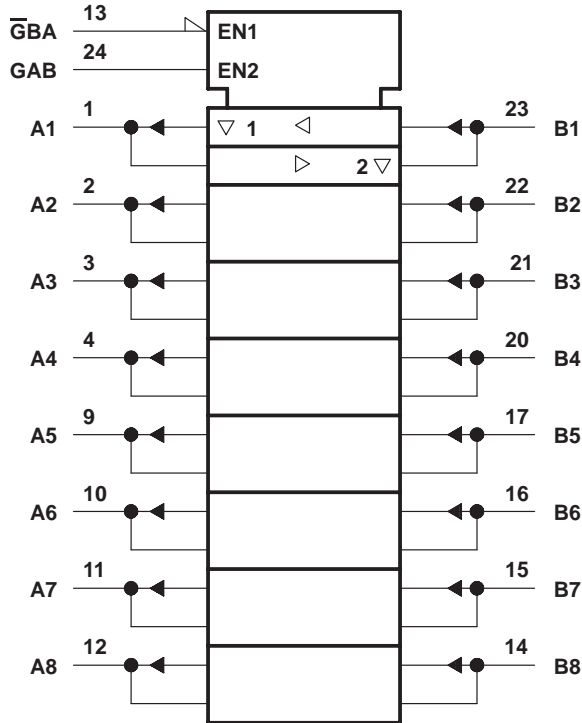
POST OFFICE BOX 655303 • DALLAS, TEXAS 75265

Copyright © 1993, Texas Instruments Incorporated

74ACT11623 OCTAL BUS TRANSCEIVER WITH 3-STATE OUTPUTS

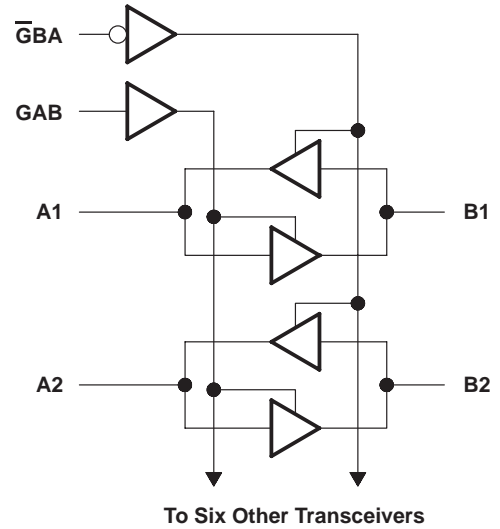
SCAS059A – D2957, JULY 1987 – REVISED APRIL 1993

logic symbol†



† This symbol is in accordance with ANSI/IEEE Std 91-1984 and IEC Publication 617-12.

logic diagram (positive logic)



absolute maximum ratings over operating free-air temperature range (unless otherwise noted)‡

Supply voltage range, V_{CC}	-0.5 V to 7 V
Input voltage range, V_I (see Note 1)	-0.5 V to $V_{CC} + 0.5$ V
Output voltage range, V_O (see Note 1)	-0.5 V to $V_{CC} + 0.5$ V
Input clamp current, I_{IK} ($V_I < 0$ or $V_I > V_{CC}$)	± 20 mA
Output clamp current, I_{OK} ($V_O < 0$ or $V_O > V_{CC}$)	± 50 mA
Continuous output current, I_O ($V_O = 0$ to V_{CC})	± 50 mA
Continuous current through V_{CC} or GND	± 200 mA
Storage temperature range	-65°C to 150°C

‡ Stresses beyond those listed under "absolute maximum ratings" may cause permanent damage to the device. These are stress ratings only and functional operation of the device at these or any other conditions beyond those indicated under "recommended operating conditions" is not implied. Exposure to absolute-maximum-rated conditions for extended periods may affect device reliability.

NOTE 1: The input and output voltage ratings may be exceeded if the input and output current ratings are observed.

74ACT11623
OCTAL BUS TRANSCEIVER
WITH 3-STATE OUTPUTS

SCAS059A – D2957, JULY 1987 – REVISED APRIL 1993

recommended operating conditions

		MIN	MAX	UNIT
V_{CC}	Supply voltage	4.5	5.5	V
V_{IH}	High-level input voltage	2		V
V_{IL}	Low-level input voltage		0.8	V
V_I	Input voltage	0	V_{CC}	V
V_O	Output voltage	0	V_{CC}	V
I_{OH}	High-level output current		-24	mA
I_{OL}	Low-level output current		24	mA
$\Delta t/\Delta v$	Input transition rise or fall rate	0	10	ns/V
T_A	Operating free-air temperature	-40	85	°C

electrical characteristics over recommended operating free-air temperature range

PARAMETER	TEST CONDITIONS	V_{CC}	$T_A = 25^\circ\text{C}$			MIN	MAX	UNIT	
			MIN	TYP	MAX				
V_{OH}	$I_{OH} = -50 \mu\text{A}$	4.5 V	4.4			4.4		V	
		5.5 V	5.4			5.4			
	$I_{OH} = -24 \text{ mA}$	4.5 V	3.94			3.8			
		5.5 V	4.94			4.8			
	$I_{OH} = -75 \text{ mA}^\dagger$	5.5 V				3.85			
V_{OL}	$I_{OL} = 50 \mu\text{A}$	4.5 V				0.1		V	
		5.5 V				0.1			
	$I_{OL} = 24 \text{ mA}$	4.5 V				0.36			
		5.5 V				0.36			
	$I_{OL} = 75 \text{ mA}^\dagger$	5.5 V				1.65			
I_{OZ}	A or B ports [‡]	$V_O = V_{CC}$ or GND	5.5 V				± 0.5	± 5	μA
I_I	$\overline{\text{G}}\text{BA}$ or GAB	$V_I = V_{CC}$ or GND	5.5 V				± 0.1	± 1	μA
I_{CC}		$V_I = V_{CC}$ or GND, $I_O = 0$	5.5 V				4	40	μA
ΔI_{CC}^\S		One input at 3.4 V, Other inputs at GND or V_{CC}	5.5 V				0.9	1	mA
C_i	$\overline{\text{G}}\text{BA}$ or GAB	$V_I = V_{CC}$ or GND	5 V				4		pF
C_{io}	A or B ports	$V_O = V_{CC}$ or GND	5 V				20		pF

[†] Not more than one output should be tested at a time, and the duration of the test should not exceed 10 ms.

[‡] For I/O ports, the parameter I_{OZ} includes the input leakage.

[§] This is the increase in supply current for each input that is at one of the specified TTL voltage levels rather than 0 V or V_{CC} .

74ACT11623
OCTAL BUS TRANSCEIVER
WITH 3-STATE OUTPUTS

SCAS059A – D2957, JULY 1987 – REVISED APRIL 1993

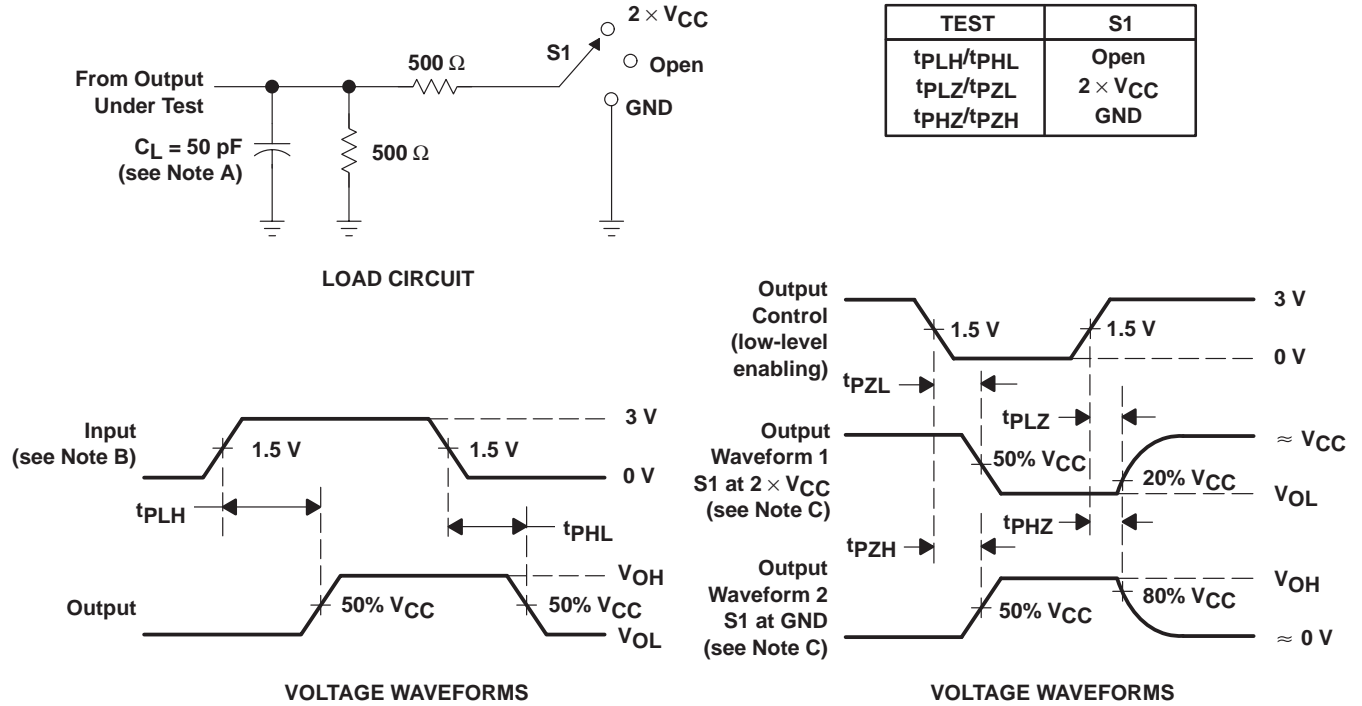
switching characteristics over recommended ranges of supply voltage and operating free-air temperature (unless otherwise noted) (see Figure 1)

PARAMETER	FROM (INPUT)	TO (OUTPUT)	T _A = 25°C			MIN	MAX	UNIT
			MIN	TYP	MAX			
t _{PLH}	A or B	B or A	1.5	6	7.5	1.5	8.5	ns
t _{PHL}			1.5	5.5	7.2	1.5	7.9	
t _{PZH}	$\overline{\text{G}}\text{BA}$	A	1.5	6.9	8.6	1.5	9.7	ns
t _{PZL}			1.5	6.9	9	1.5	10	
t _{PHZ}	$\overline{\text{G}}\text{BA}$	A	1.5	8.1	10	1.5	10.9	ns
t _{PLZ}			1.5	8.5	10.5	1.5	11.5	
t _{PZH}	GAB	B	1.5	7.7	9.3	1.5	10.7	ns
t _{PZL}			1.5	7.7	9.7	1.5	10.9	
t _{PHZ}	GAB	B	1.5	7.1	8.8	1.5	9.5	ns
t _{PLZ}			1.5	7.3	9.2	1.5	10	

operating characteristics, V_{CC} = 5 V, T_A = 25°C

PARAMETER		TEST CONDITIONS	TYP	UNIT
C _{pd}	Power dissipation capacitance per transceiver	Outputs enabled	41	pF
		Outputs disabled	8	

PARAMETER MEASUREMENT INFORMATION



- NOTES: A. C_L includes probe and jig capacitance.
 B. All input pulses are supplied by generators having the following characteristics: $PRR \leq 10 \text{ MHz}$, $Z_O = 50 \Omega$, $t_r = 3 \text{ ns}$, $t_f = 3 \text{ ns}$.
 C. Waveform 1 is for an output with internal conditions such that the output is low except when disabled by the output control. Waveform 2 is for an output with internal conditions such that the output is high except when disabled by the output control.
 D. The outputs are measured one at a time with one input transition per measurement.

Figure 1. Load Circuit and Voltage Waveforms

IMPORTANT NOTICE

Texas Instruments and its subsidiaries (TI) reserve the right to make changes to their products or to discontinue any product or service without notice, and advise customers to obtain the latest version of relevant information to verify, before placing orders, that information being relied on is current and complete. All products are sold subject to the terms and conditions of sale supplied at the time of order acknowledgement, including those pertaining to warranty, patent infringement, and limitation of liability.

TI warrants performance of its semiconductor products to the specifications applicable at the time of sale in accordance with TI's standard warranty. Testing and other quality control techniques are utilized to the extent TI deems necessary to support this warranty. Specific testing of all parameters of each device is not necessarily performed, except those mandated by government requirements.

CERTAIN APPLICATIONS USING SEMICONDUCTOR PRODUCTS MAY INVOLVE POTENTIAL RISKS OF DEATH, PERSONAL INJURY, OR SEVERE PROPERTY OR ENVIRONMENTAL DAMAGE ("CRITICAL APPLICATIONS"). TI SEMICONDUCTOR PRODUCTS ARE NOT DESIGNED, AUTHORIZED, OR WARRANTED TO BE SUITABLE FOR USE IN LIFE-SUPPORT DEVICES OR SYSTEMS OR OTHER CRITICAL APPLICATIONS. INCLUSION OF TI PRODUCTS IN SUCH APPLICATIONS IS UNDERSTOOD TO BE FULLY AT THE CUSTOMER'S RISK.

In order to minimize risks associated with the customer's applications, adequate design and operating safeguards must be provided by the customer to minimize inherent or procedural hazards.

TI assumes no liability for applications assistance or customer product design. TI does not warrant or represent that any license, either express or implied, is granted under any patent right, copyright, mask work right, or other intellectual property right of TI covering or relating to any combination, machine, or process in which such semiconductor products or services might be or are used. TI's publication of information regarding any third party's products or services does not constitute TI's approval, warranty or endorsement thereof.

Texas Instruments

<http://www.ti.com>

This file is the datasheet for the following electronic components:

74ACT11623DWR - <http://www.ti.com/product/74act11623dwr?HQS=TI-null-null-dscatalog-df-pf-null-wwe>

74ACT11623NT - <http://www.ti.com/product/74act11623nt?HQS=TI-null-null-dscatalog-df-pf-null-wwe>

74ACT11623 - <http://www.ti.com/product/74act11623?HQS=TI-null-null-dscatalog-df-pf-null-wwe>

74ACT11623DW - <http://www.ti.com/product/74act11623dw?HQS=TI-null-null-dscatalog-df-pf-null-wwe>



LittleDiode supplies new, hard to find or obsolete electronic components and semiconductors all over the world.

With over two million different components listed you are sure to find the part you need.

Feel free to visit us today at our online store:

LittleDiode.com

Looking forward to providing you with the best possible service.