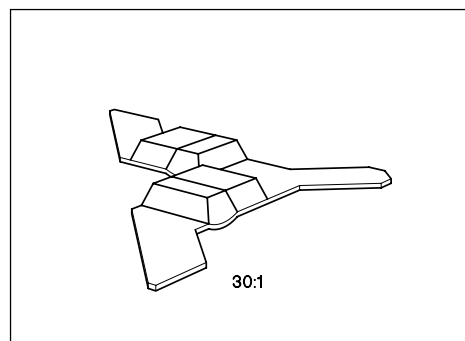


Silicon Schottky Diodes

BAT 15- ... D

- Beam lead technology
- Low dimension
- High performance
- Low barrier



ESD: Electrostatic discharge sensitive device, observe handling precautions!

Type	Marking	Ordering Code	Pin Configuration	Package ¹⁾
BAT 15-020 D	–	Q62702-D1263		D
BAT 15-050 D		Q62702-D3450		
BAT 15-090 D		Q62702-D1280		
BAT 15-110 D		Q62702-D1289		

Maximum Ratings

Parameter	Symbol	Values		Unit
		BAT 15-020 D BAT 15-050 D	BAT 15-090 D BAT 15-110 D	
Reverse voltage	V_R	4	4	V
Forward current	I_F	100	50	mA
Junction temperature	T_j	175		°C
Storage temperature range	T_{stg}	– 65 ... + 150		
Operating temperature range	T_{op}	– 65 ... + 150		

¹⁾ For detailed information see chapter Package Outlines.

Electrical Characteristics

at $T_A = 25\text{ }^\circ\text{C}$, unless otherwise specified.

Parameter	Symbol	Values			Unit
		min.	typ.	max.	

DC Characteristics

Breakdown voltage $I_R = 10\text{ }\mu\text{A}$	$V_{(BR)}$	4	–	–	V
Diode capacitance $V_R = 0, f = 1\text{ MHz}$	C_T				pF
BAT 15-020 D		–	0.30	0.35	
BAT 15-050 D		–	0.20	0.25	
BAT 15-090 D		–	0.14	0.15	
BAT 15-110 D		–	0.10	0.12	
Forward voltage $I_F = 1\text{ mA}$	V_F				V
BAT 15-020 D		–	0.26	–	
BAT 15-050 D		–	0.28	–	
BAT 15-090 D		–	0.30	–	
BAT 15-110 D		–	0.31	–	
$I_F = 10\text{ mA}$					
BAT 15-020 D		–	0.35	–	
BAT 15-050 D		–	0.39	–	
BAT 15-090 D		–	0.44	–	
BAT 15-110 D		–	0.45	–	
Single sideband noise figure $F_{IF} = 1.5\text{ dB}, P_{LO} = 0\text{ dBm}, f_{IF} = 10.7\text{ MHz}$	F_{SSB}				dB
$f = 3.0\text{ GHz}$		–	6.0	–	
$f = 6.0\text{ GHz}$		–	6.5	–	
$f = 9.3\text{ GHz}$		–	6.5	–	
$f = 16\text{ GHz}$		–	7.0	–	
Differential forward resistance $I_F = 10\text{ mA}$	r_f				Ω
BAT 15-020 D		–	3.5	–	
BAT 15-050 D		–	4.0	–	
$I_F = 50\text{ mA}$					
BAT 15-090 D		–	7.0	–	
BAT 15-110 D		–	10.0	–	



LittleDiode supplies new, hard to find or obsolete electronic components and semiconductors all over the world.

With over two million different components listed you are sure to find the part you need.

Feel free to visit us today at our online store:

LittleDiode.com

Looking forward to providing you with the best possible service.