

# CD40174BM/CD40174BC Hex D Flip-Flop CD40175BM/CD40175BC Quad D Flip-Flop

## General Description

The CD40174B consists of six positive-edge triggered D-type flip-flops; the true outputs from each flip-flop are externally available. The CD40175B consists of four positive-edge triggered D-type flip-flops; both the true and complement outputs from each flip-flop are externally available.

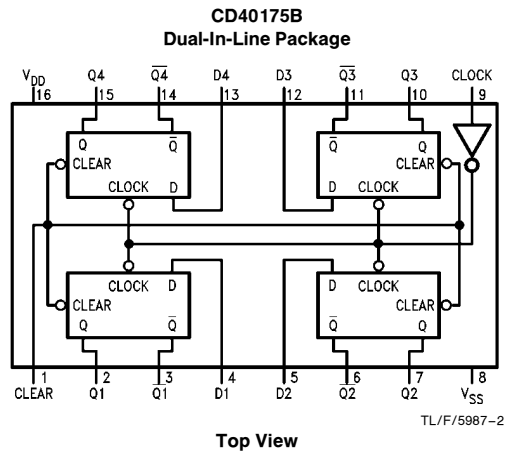
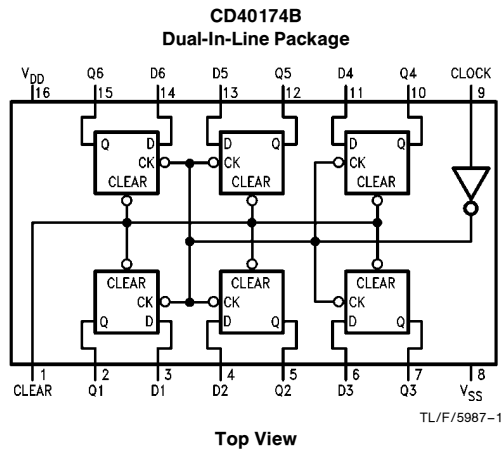
All flip-flops are controlled by a common clock and a common clear. Information at the D inputs meeting the set-up time requirements is transferred to the Q outputs on the positive-going edge of the clock pulse. The clearing operation, enabled by a negative pulse at Clear input, clears all Q outputs to logical "0" and Qs (CD40175B only) to logical "1".

All inputs are protected from static discharge by diode clamps to  $V_{DD}$  and  $V_{SS}$ .

## Features

- Wide supply voltage range 3V to 15V
- High noise immunity 0.45  $V_{DD}$  (typ.)
- Low power TTL compatibility fan out of 2 driving 74L or 1 driving 74 LS
- Equivalent to MC14174B, MC14175B
- Equivalent to MM74C174, MM74C175

## Connection Diagrams



Order Number CD40174B or CD40175B

## Truth Table

Inputs			Outputs	
Clear	Clock	D	Q	$\bar{Q}^*$
L	X	X	L	H
H	↑	H	H	L
H	↑	L	L	H
H	H	X	NC	NC
H	L	X	NC	NC

H = High level  
 L = Low level  
 X = Irrelevant  
 ↑ = Transition from low to high level  
 NC = No change  
 \* =  $\bar{Q}$  for CD40175B only

**CD40174BM/CD40174BC Hex D Flip-Flop  
 CD40175BM/CD40175BC Quad D Flip-Flop**

## Absolute Maximum Ratings (Notes 1 & 2)

If Military/Aerospace specified devices are required, please contact the National Semiconductor Sales Office/Distributors for availability and specifications.

DC Supply Voltage ( $V_{DD}$ )	-0.5V to +18V
Input Voltage ( $V_{IN}$ )	-0.5V to $V_{DD}$ + 0.5V <sub>DC</sub>
Storage Temperature Range ( $T_S$ )	-65°C to +150°C
Power Dissipation ( $P_D$ )	
Dual-In-Line	700 mW
Small Outline	500 mW
Lead Temperature ( $T_L$ )	
(Soldering, 10 seconds)	260°C

## Recommended Operating Conditions (Note 2)

DC Supply Voltage ( $V_{DD}$ )	3V to 15 V <sub>DC</sub>
Input Voltage ( $V_{IN}$ )	0V to $V_{DD}$ V <sub>DC</sub>
Operating Temperature Range ( $T_A$ )	
CD40XXXBM	-55°C to +125°C
CD40XXXBC	-40°C to +85°C

## DC Electrical Characteristics CD40174BM/CD40175BM (Note 2)

Symbol	Parameter	Conditions	-55°C		+25°C			+125°C		Units
			Min	Max	Min	Typ	Max	Min	Max	
$I_{DD}$	Quiescent Device Current	$V_{DD} = 5V, V_{IN} = V_{DD}$ or $V_{SS}$		1.0			1.0		30	$\mu A$
		$V_{DD} = 10V, V_{IN} = V_{DD}$ or $V_{SS}$		2.0			2.0		60	$\mu A$
		$V_{DD} = 15V, V_{IN} = V_{DD}$ or $V_{SS}$		4.0			4.0		120	$\mu A$
$V_{OL}$	Low Level Output Voltage	$ I_O  < 1 \mu A$								
		$V_{DD} = 5V$		0.05			0.05		0.05	V
		$V_{DD} = 10V$		0.05			0.05		0.05	V
		$V_{DD} = 15V$		0.05			0.05		0.05	V
$V_{OH}$	High Level Output Voltage	$ I_O  < 1 \mu A$								
		$V_{DD} = 5V$	4.95		4.95	5		4.95		V
		$V_{DD} = 10V$	9.95		9.95	10		9.95		V
		$V_{DD} = 15V$	14.95		14.95	15		14.95		V
$V_{IL}$	Low Level Input Voltage	$V_{DD} = 5V, V_O = 0.5V$ or 4.5V		1.5			1.5		1.5	V
		$V_{DD} = 10V, V_O = 1V$ or 9V		3.0			3.0		3.0	V
		$V_{DD} = 15V, V_O = 1.5V$ or 13.5V		4.0			4.0		4.0	V
$V_{IH}$	High Level Input Voltage	$V_{DD} = 5V, V_O = 0.5V$ or 4.5V	3.5		3.5			3.5		V
		$V_{DD} = 10V, V_O = 1V$ or 9V	7.0		7.0			7.0		V
		$V_{DD} = 15V, V_O = 1.5V$ or 13.5V	11.0		11.0			11.0		V
$I_{OL}$	Low Level Output Current (Note 3)	$V_{DD} = 5V, V_O = 0.4V$	0.64		0.51	0.88		0.36		mA
		$V_{DD} = 10V, V_O = 0.5V$	1.6		1.3	2.25		0.9		mA
		$V_{DD} = 15V, V_O = 1.5V$	4.2		3.4	8.8		2.4		mA
$I_{OH}$	High Level Output Current (Note 3)	$V_{DD} = 5V, V_O = 4.6V$	-0.64		-0.51	-0.88		-0.36		mA
		$V_{DD} = 10V, V_O = 9.5V$	-1.6		-1.3	-2.25		-0.9		mA
		$V_{DD} = 15V, V_O = 13.5V$	-4.2		-3.4	-8.8		-2.4		mA
$I_{IN}$	Input Current	$V_{DD} = 15V, V_{IN} = 0V$		-0.1		$10^{-5}$	-0.1		-1.0	$\mu A$
		$V_{DD} = 15V, V_{IN} = 15V$		0.1		$10^{-5}$	0.1		1.0	$\mu A$

## DC Electrical Characteristics CD40174BC/CD40175BC (Note 2)

Symbol	Parameter	Conditions	-40°C		+25°C			+85°C		Units
			Min	Max	Min	Typ	Max	Min	Max	
$I_{DD}$	Quiescent Device Current	$V_{DD} = 5V, V_{IN} = V_{DD}$ or $V_{SS}$		4			4		30	$\mu A$
		$V_{DD} = 10V, V_{IN} = V_{DD}$ or $V_{SS}$		8			8		60	$\mu A$
		$V_{DD} = 15V, V_{IN} = V_{DD}$ or $V_{SS}$		16			16		120	$\mu A$

**Note 1:** "Absolute Maximum Ratings" are those values beyond which the safety of the device cannot be guaranteed. They are not meant to imply that the devices should be operated at these limits. The tables of "Recommended Operating Conditions" and "Electrical Characteristics" provide conditions for actual device operation.

**Note 2:**  $V_{SS} = 0V$  unless otherwise specified.

**Note 3:**  $I_{OH}$  and  $I_{OL}$  are tested one output at a time.

## DC Electrical Characteristics CD40174BC/CD40175BC (Note 2) (Continued)

Symbol	Parameter	Conditions	-40°C		+25°C			+85°C		Units
			Min	Max	Min	Typ	Max	Min	Max	
V <sub>OL</sub>	Low Level Output Voltage	V <sub>DD</sub> = 5V		0.05			0.05		0.05	V
		V <sub>DD</sub> = 10V		0.05			0.05		0.05	V
		V <sub>DD</sub> = 15V		0.05			0.05		0.05	V
V <sub>OH</sub>	High Level Output Voltage	V <sub>DD</sub> = 5V	4.95		4.95	5		4.95		V
		V <sub>DD</sub> = 10V	9.95		9.95	10		9.95		V
		V <sub>DD</sub> = 15V	14.95		14.95	15		14.95		V
V <sub>IL</sub>	Low Level Input Voltage	V <sub>DD</sub> = 5V, V <sub>O</sub> = 0.5V or 4.5V		1.5			1.5		1.5	V
		V <sub>DD</sub> = 10V, V <sub>O</sub> = 1V or 9V		3.0			3.0		3.0	V
		V <sub>DD</sub> = 15V, V <sub>O</sub> = 1.5V or 13.5V		4.0			4.0		4.0	V
V <sub>IH</sub>	High Level Input Voltage	V <sub>DD</sub> = 5V, V <sub>O</sub> = 0.5V or 4.5V	3.5		3.5			3.5		V
		V <sub>DD</sub> = 10V, V <sub>O</sub> = 1V or 9V	7.0		7.0			7.0		V
		V <sub>DD</sub> = 15V, V <sub>O</sub> = 1.5V or 13.5V	11.0		11.0			11.0		V
I <sub>OL</sub>	Low Level Output Current (Note 3)	V <sub>DD</sub> = 5V, V <sub>O</sub> = 0.4V	0.52		0.44	0.88		0.36		mA
		V <sub>DD</sub> = 10V, V <sub>O</sub> = 0.5V	1.3		1.1	2.25		0.9		mA
		V <sub>DD</sub> = 15V, V <sub>O</sub> = 1.5V	3.6		3.0	8.8		2.4		mA
I <sub>OH</sub>	High Level Output Current (Note 3)	V <sub>DD</sub> = 5V, V <sub>O</sub> = 4.6V	-0.52		-0.44	-0.88		-0.36		mA
		V <sub>DD</sub> = 10V, V <sub>O</sub> = 9.5V	-1.3		-1.1	-2.25		-0.9		mA
		V <sub>DD</sub> = 15V, V <sub>O</sub> = 13.5V	-3.6		-3.0	-8.8		-2.4		mA
I <sub>IN</sub>	Input Current	V <sub>DD</sub> = 15V, V <sub>IN</sub> = 0V		-0.30		-10 <sup>-5</sup>	-0.30		-1.0	μA
		V <sub>DD</sub> = 15V, V <sub>IN</sub> = 15V		0.30		10 <sup>-5</sup>	0.30		1.0	μA

## AC Electrical Characteristics \*

T<sub>A</sub> = 25°C, C<sub>L</sub> = 50 pF, R<sub>L</sub> = 200k and t<sub>r</sub> = t<sub>f</sub> = 20 ns, unless otherwise specified

Symbol	Parameter	Conditions	Min	Typ	Max	Units
t <sub>PHL</sub> , t <sub>PLH</sub>	Propagation Delay Time to a Logical "0" or Logical "1" from Clock to Q or $\bar{Q}$ (CD40175 Only)	V <sub>DD</sub> = 5V		190	300	ns
		V <sub>DD</sub> = 10V		75	110	ns
		V <sub>DD</sub> = 15V		60	90	ns
t <sub>PHL</sub>	Propagation Delay Time to a Logical "0" from Clear to Q	V <sub>DD</sub> = 5V		180	300	ns
		V <sub>DD</sub> = 10V		70	110	ns
		V <sub>DD</sub> = 15V		60	90	ns
t <sub>PLH</sub>	Propagation Delay Time to a Logical "1" from Clear to $\bar{Q}$ (CD40175 Only)	V <sub>DD</sub> = 5V		230	400	ns
		V <sub>DD</sub> = 10V		90	150	ns
		V <sub>DD</sub> = 15V		75	120	ns
t <sub>SU</sub>	Time Prior to Clock Pulse that Data must be Present	V <sub>DD</sub> = 5V		45	100	ns
		V <sub>DD</sub> = 10V		15	40	ns
		V <sub>DD</sub> = 15V		13	35	ns
t <sub>H</sub>	Time after Clock Pulse that Data Must be Held	V <sub>DD</sub> = 5V		-11	0	ns
		V <sub>DD</sub> = 10V		-4	0	ns
		V <sub>DD</sub> = 15V		-3	0	ns
t <sub>THL</sub> , t <sub>TLH</sub>	Transition Time	V <sub>DD</sub> = 5V		100	200	ns
		V <sub>DD</sub> = 10V		50	100	ns
		V <sub>DD</sub> = 15V		40	80	ns
t <sub>WH</sub> , t <sub>WL</sub>	Minimum Clock Pulse Width	V <sub>DD</sub> = 5V		130	250	ns
		V <sub>DD</sub> = 10V		45	100	ns
		V <sub>DD</sub> = 15V		40	80	ns

## AC Electrical Characteristics\*

$T_A = 25^\circ\text{C}$ ,  $C_L = 50\text{ pF}$ ,  $R_L = 200\text{ k}$  and  $t_r = t_f = 20\text{ ns}$ , unless otherwise specified (Continued)

Symbol	Parameter	Conditions	Min	Typ	Max	Units
$t_{WL}$	Minimum Clear Pulse Width	$V_{DD} = 5\text{V}$		120	250	ns
		$V_{DD} = 10\text{V}$		45	100	ns
		$V_{DD} = 15\text{V}$		40	80	ns
$t_{RCL}$	Maximum Clock Rise Time	$V_{DD} = 5\text{V}$	15			$\mu\text{s}$
		$V_{DD} = 10\text{V}$	5.0			$\mu\text{s}$
		$V_{DD} = 15\text{V}$	5.0			$\mu\text{s}$
$t_{fCL}$	Maximum Clock Fall Time	$V_{DD} = 5\text{V}$	15	50		$\mu\text{s}$
		$V_{DD} = 10\text{V}$	5.0	50		$\mu\text{s}$
		$V_{DD} = 15\text{V}$	5.0	50		$\mu\text{s}$
$f_{CL}$	Maximum Clock Frequency	$V_{DD} = 5\text{V}$	2.0	3.5		MHz
		$V_{DD} = 10\text{V}$	5.0	10		MHz
		$V_{DD} = 15\text{V}$	6.0	12		MHz
$C_{IN}$	Input Capacitance	Clear Input		10	15	pF
		Other Input		5.0	7.5	pF
$C_{PD}$	Power Dissipation	Per Package (Note 4)		130		pF

\*AC Parameters are guaranteed by DC correlated testing.

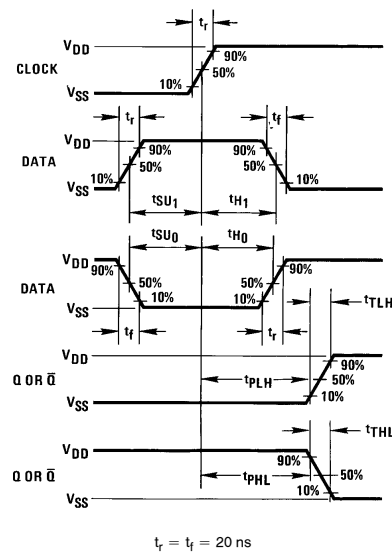
**Note 1:** "Absolute Maximum Ratings" are those values beyond which the safety of the device cannot be guaranteed. They are not meant to imply that the devices should be operated at these limits. The tables of "Recommended Operating Conditions" and "Electrical Characteristics" provide conditions for actual device operation.

**Note 2:**  $V_{SS} = 0\text{V}$  unless otherwise specified.

**Note 3:**  $I_{OH}$  and  $I_{OL}$  are tested one output at a time.

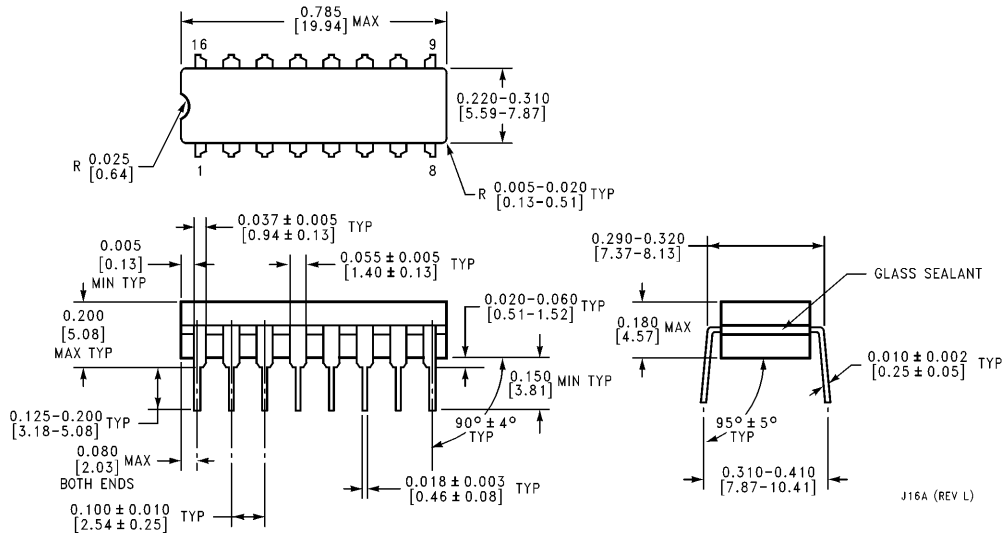
**Note 4:**  $C_{PD}$  determines the no load AC power consumption of any CMOS device. For complete explanation, see 54C/74C Family Characteristics application note, AN-90.

## Switching Time Waveforms



TL/F/5987-3

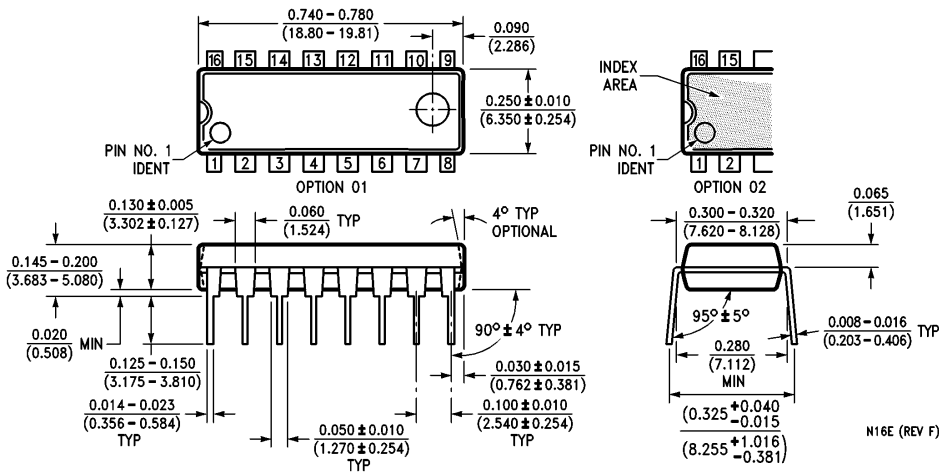
**Physical Dimensions** inches (millimeters)



**Ceramic Dual-In-Line Package (J)**  
**Order Number CD40174BMJ, CD40174BCJ, CD40175BMJ or CD40175BCJ**  
**NS Package Number J16A**

J16A (REV L)

**Physical Dimensions** inches (millimeters) (Continued)



**Molded Dual-In-Line Package (N)**  
**Order Number CD40174BMN, CD40174BCN, CD40174BMN or CD40175BCN**  
**NS Package Number N16E**

**LIFE SUPPORT POLICY**

NATIONAL'S PRODUCTS ARE NOT AUTHORIZED FOR USE AS CRITICAL COMPONENTS IN LIFE SUPPORT DEVICES OR SYSTEMS WITHOUT THE EXPRESS WRITTEN APPROVAL OF THE PRESIDENT OF NATIONAL SEMICONDUCTOR CORPORATION. As used herein:

1. Life support devices or systems are devices or systems which, (a) are intended for surgical implant into the body, or (b) support or sustain life, and whose failure to perform, when properly used in accordance with instructions for use provided in the labeling, can be reasonably expected to result in a significant injury to the user.
2. A critical component is any component of a life support device or system whose failure to perform can be reasonably expected to cause the failure of the life support device or system, or to affect its safety or effectiveness.



**National Semiconductor Corporation**  
 1111 West Bardin Road  
 Arlington, TX 76017  
 Tel: 1(800) 272-9959  
 Fax: 1(800) 737-7018

**National Semiconductor Europe**  
 Fax: (+49) 0-180-530 85 86  
 Email: onjwge@tevm2.nsc.com  
 Deutsch Tel: (+49) 0-180-530 85 85  
 English Tel: (+49) 0-180-532 78 32  
 Français Tel: (+49) 0-180-532 93 58  
 Italiano Tel: (+49) 0-180-534 16 80

**National Semiconductor Hong Kong Ltd.**  
 19th Floor, Straight Block,  
 Ocean Centre, 5 Canton Rd.  
 Tsimshatsui, Kowloon  
 Hong Kong  
 Tel: (852) 2737-1600  
 Fax: (852) 2736-9960

**National Semiconductor Japan Ltd.**  
 Tel: 81-043-299-2309  
 Fax: 81-043-299-2408

National does not assume any responsibility for use of any circuitry described, no circuit patent licenses are implied and National reserves the right at any time without notice to change said circuitry and specifications.

This datasheet has been downloaded from:

[www.DatasheetCatalog.com](http://www.DatasheetCatalog.com)

Datasheets for electronic components.

# National Semiconductor was acquired by Texas Instruments.

[http://www.ti.com/corp/docs/investor\\_relations/pr\\_09\\_23\\_2011\\_national\\_semiconductor.html](http://www.ti.com/corp/docs/investor_relations/pr_09_23_2011_national_semiconductor.html)

This file is the datasheet for the following electronic components:

CD40175BCN - <http://www.ti.com/product/cd40175bcn?HQS=TI-null-null-dscatalog-df-pf-null-ww>

CD40175BMJ - <http://www.ti.com/product/cd40175bmj?HQS=TI-null-null-dscatalog-df-pf-null-ww>

CD40174BMN - <http://www.ti.com/product/cd40174bmn?HQS=TI-null-null-dscatalog-df-pf-null-ww>

CD40174BMJ - <http://www.ti.com/product/cd40174bmj?HQS=TI-null-null-dscatalog-df-pf-null-ww>

CD40174BCN - <http://www.ti.com/product/cd40174bcn?HQS=TI-null-null-dscatalog-df-pf-null-ww>

CD40175BCJ - <http://www.ti.com/product/cd40175bcj?HQS=TI-null-null-dscatalog-df-pf-null-ww>

CD40174BCJ - <http://www.ti.com/product/cd40174bcj?HQS=TI-null-null-dscatalog-df-pf-null-ww>



LittleDiode supplies new, hard to find or obsolete electronic components and semiconductors all over the world.

With over two million different components listed you are sure to find the part you need.

Feel free to visit us today at our online store:

[LittleDiode.com](http://LittleDiode.com)

Looking forward to providing you with the best possible service.