

100323 Low Power Hex Bus Driver

General Description

The 100323 is a monolithic device containing six bus drivers capable of driving terminated lines with terminations as low as 25Ω. To reduce crosstalk, each output has its own respective ground connection. Transition times were designed to be longer than on other F100K devices. The driver itself performs the positive logic AND of a data input (D₁–D₆) and the OR of two select inputs (E and either DE₁, DE₂, or DE₃).

Enabling of data is possible in multiples of two, i.e., 2, 4 or all 6 paths. All inputs have 50 kΩ pull-down resistors.

The output voltage LOW level is designed to be more negative than normal ECL outputs (cut off state). This allows an emitter-follower output transistor to turn OFF when the termination supply is –2.0V and thus present a high impedance to the data bus.

Features

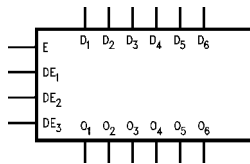
- 50% power reduction of the 100123
- 2000V ESD protection
- –4.2V to –5.7V operating range
- Drives 25Ω load

Ordering Code:

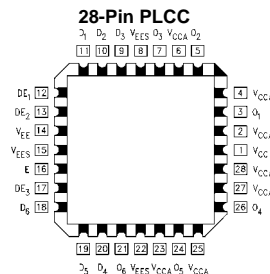
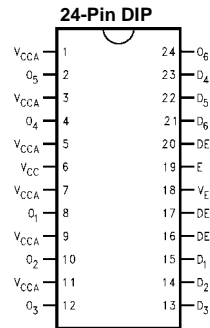
Order Number	Package Number	Package Description
100323PC	N24E	24-Lead Plastic Dual-In-Line Package (PDIP), JEDEC MS-010, 0.400 Wide
100323QC	V28A	28-Lead Plastic Lead Chip Carrier (PLCC), JEDEC MO-047, 0.450 Square

Devices also available in Tape and Reel. Specify by appending the suffix letter "X" to the ordering code.

Logic Symbol



Connection Diagrams



Pin Descriptions

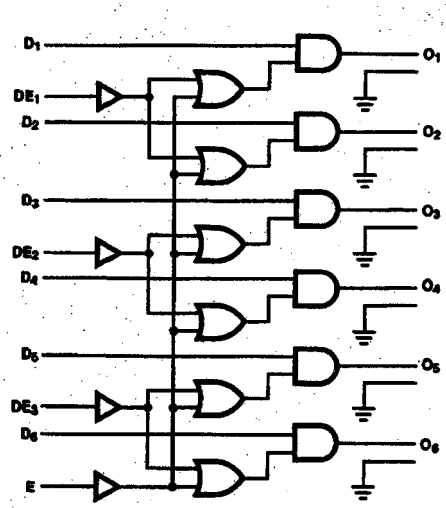
Pin Names	Description
D ₁ –D ₆	Data Inputs
DE ₁ –DE ₃	Dual Enable Inputs
E	Common Enable Input
O ₁ –O ₆	Data Outputs

Truth Table

E	DE _n	D _n	D _{n+1}	O _n	O _{n+1}
L	L	X	X	Cutoff	Cutoff
X	H	L	L	Cutoff	Cutoff
X	H	L	H	Cutoff	H
X	H	H	L	H	Cutoff
X	H	H	H	H	H
H	X	L	L	Cutoff	Cutoff
H	X	L	H	Cutoff	H
H	X	H	L	H	Cutoff
H	X	H	H	H	H

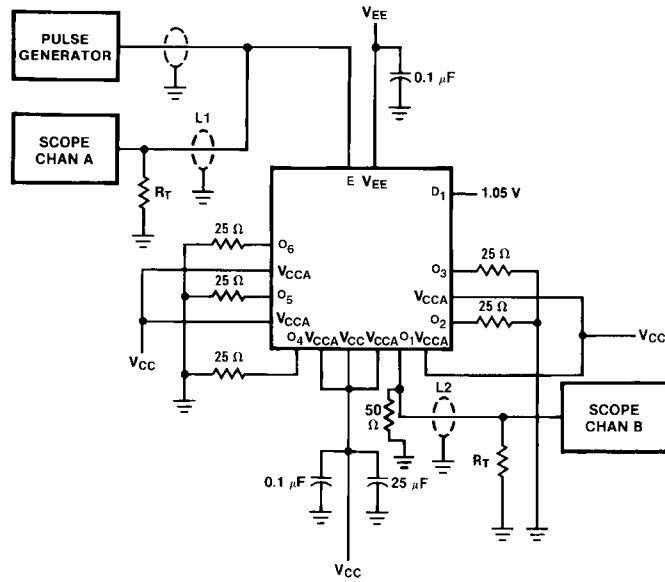
H = HIGH Voltage Level
 L = LOW Voltage Level
 X = Don't Care
 Cutoff = Lower-than-LOW State

Logic Diagram



Absolute Maximum Ratings (Note 1)				Recommended Operating Conditions					
Storage Temperature		-65°C to +150°C		Case Temperature	0°C to +85°C				
Maximum Junction Temperature		+150°C		Supply Voltage (V _{EE})	-5.7V to -4.2V				
V _{EE} Pin Potential to Ground Pin		-7.0V to +0.5V							
Input Voltage (DC)		V _{EE} to +0.5V							
Output Current (DC Output High)		-50 mA							
ESD		≥2000V							
<p>Note 1: The "Absolute Maximum Ratings" are those values beyond which the safety of the device cannot be guaranteed. The device should not be operated at these limits. The parametric values defined in the Electrical Characteristics tables are not guaranteed at the absolute maximum rating. The "Recommended Operating Conditions" table will define the conditions for actual device operation.</p> <p>Note 2: ESD testing conforms to MIL-STD-883, Method 3015.</p>									
DC Electrical Characteristics (Note 3)									
V _{EE} = -4.2V to -5.7V, V _{CC} = V _{CCA} = GND, T _C = 0°C to +85°C									
Symbol	Parameter	Min	Typ	Max	Units	Conditions			
V _{IH}	Input HIGH Voltage	-1165		-870	mV	Guaranteed High Signal for ALL Inputs			
V _{IL}	Input LOW Voltage	-1830		-1475	mV	Guaranteed Low Signal for ALL Inputs			
V _{OH}	Output HIGH Voltage	-1025	-955	-870	mV	V _{IN} = V _{IH (max)} or V _{IL (min)}	Loading with 25Ω to -2.0V		
V _{OHC}	Output HIGH Voltage	-1035			mV	V _{IN} = V _{IH (min)} or V _{IL (max)}	Loading with 25Ω to -2.0V		
V _{OLZ}	Cut-Off LOW Voltage			-1950	mV	V _{IN} = V _{IH (min)} or V _{IL (max)}	Loading with 25Ω to -2.0V		
I _{IL}	Input LOW Current	0.50			μA	V _{IN} = V _{IL (min)}			
I _{IH}	Input HIGH Current			240	μA	V _{IN} = V _{IH (max)}			
I _{EE}	Power Supply Current	-121	-91	-57	mA	Inputs Open			
<p>Note 3: The specified limits represent "worst case" values for the parameter. Since these values normally occur at the temperature extremes, additional noise immunity and guardbanding can be achieved by decreasing the allowable system operating ranges. Conditions for testing shown in the tables are chosen to guarantee operation under "worst case" conditions.</p>									
DIP AC Electrical Characteristics (Note 4)									
V _{EE} = -4.2V to -5.7V, V _{CC} = V _{CCA} = GND									
Symbol	Parameter	T _C = 0°C		T _C = +25°C		T _C = +85°C		Units	Conditions
		Min	Max	Min	Max	Min	Max		
t _{PZH}	Propagation Delay	1.90	3.60	1.90	3.60	2.00	3.80	ns	Figures 1, 2
t _{PHZ}	Data to Output	1.30	2.70	1.30	2.70	1.50	2.70		
t _{PZH}	Propagation Delay	1.90	3.60	1.90	3.60	2.00	3.90	ns	
t _{PHZ}	Dual Enable to Output	1.60	3.00	1.60	3.00	1.70	3.40		
t _{PZH}	Propagation Delay	1.80	3.50	1.80	3.50	2.00	3.80	ns	
t _{PHZ}	Common Enable to Output	1.50	2.90	1.50	2.90	1.60	3.00		
t _{TZH}	Transition Time	0.50	1.80	0.50	1.80	0.50	1.80	ns	
t _{THZ}	20% to 80%, 80% to 20%	0.35	1.40	0.35	1.40	0.35	1.40		
<p>Note 4: The specified limits represent the "worst case" value for the parameter. Since these values normally occur at the temperature extremes, additional noise immunity and guard banding can be achieved by decreasing the allowable system operating ranges. Conditions for testing shown in the tables are chosen to guarantee operation under "worst case" conditions.</p>									
PLCC AC Electrical Characteristics (Note 5)									
V _{EE} = -4.2V to -5.7V, V _{CC} = V _{CCA} = GND									
Symbol	Parameter	T _C = 0°C		T _C = +25°C		T _C = +85°C		Units	Conditions
		Min	Max	Min	Max	Min	Max		
t _{PZH}	Propagation Delay	1.90	3.40	1.90	3.40	2.00	3.60	ns	Figures 1, 2
t _{PHZ}	Data to Output	1.30	2.50	1.30	2.50	1.50	2.70		
t _{PZH}	Propagation Delay	1.90	3.40	1.90	3.40	2.00	3.70	ns	
t _{PHZ}	Dual Enable to Output	1.60	2.80	1.60	2.80	1.70	3.00		
t _{PZH}	Propagation Delay	1.80	3.30	1.80	3.30	2.00	3.60	ns	
t _{PHZ}	Common Enable to Output	1.50	2.70	1.50	2.70	1.60	2.80		
t _{TZH}	Transition Time	0.50	1.70	0.50	1.70	0.50	1.70	ns	
t _{THZ}	20% to 80%, 80% to 20%	0.35	1.30	0.35	1.20	0.35	1.30		
<p>Note 5: The specified limits represent the "worst case" value for the parameter. Since these values normally occur at the temperature extremes, additional noise immunity and guard banding can be achieved by decreasing the allowable system operating ranges. Conditions for testing shown in the tables are chosen to guarantee operation under "worst case" conditions.</p>									

Test Circuitry



Note:

- $V_{CC}, V_{CCA} = +2V, V_{EE} = -2.5V$
- L1 and L2 = equal length 50Ω impedance lines
- $R_T = 50\Omega$ terminator internal to scope
- Decoupling 0.1 μF from GND to V_{CC} and V_{EE}
- All unused outputs are loaded with 25Ω to GND
- C_L = Fixture and stray capacitance ≤ 3 pF
- Pin numbers shown are for flatpak; for DIP see logic symbol

FIGURE 1. AC Test Circuit

Timing Waveform

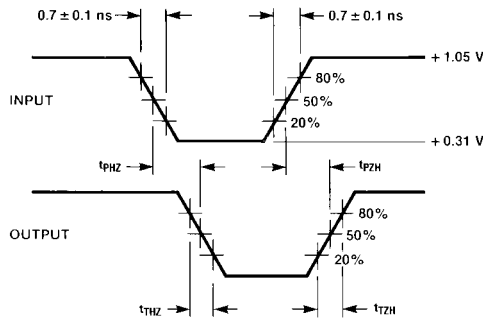
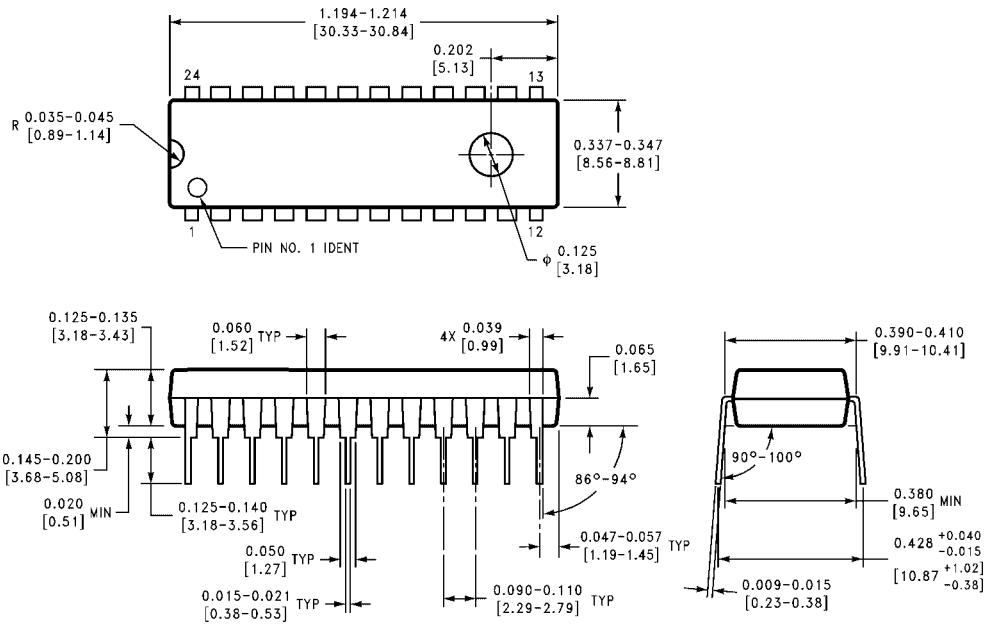


FIGURE 2. Propagation Delay and Transition Times

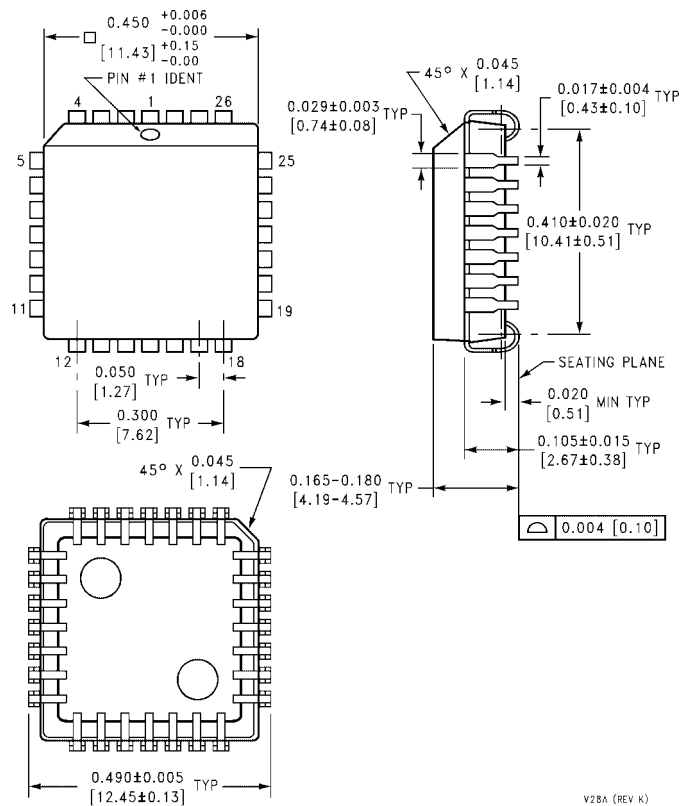
Physical Dimensions inches (millimeters) unless otherwise noted



**24-Lead Plastic Dual-In-Line Package (PDIP), JEDEC MS-010, 0.400 Wide
Package Number N24E**

N24E (REV A)

Physical Dimensions inches (millimeters) unless otherwise noted (Continued)



28-Lead Plastic Lead Chip Carrier (PLCC), JEDEC MO-047, 0.450 Square Package Number V28A

Fairchild does not assume any responsibility for use of any circuitry described, no circuit patent licenses are implied and Fairchild reserves the right at any time without notice to change said circuitry and specifications.

LIFE SUPPORT POLICY

FAIRCHILD'S PRODUCTS ARE NOT AUTHORIZED FOR USE AS CRITICAL COMPONENTS IN LIFE SUPPORT DEVICES OR SYSTEMS WITHOUT THE EXPRESS WRITTEN APPROVAL OF THE PRESIDENT OF FAIRCHILD SEMICONDUCTOR CORPORATION. As used herein:

1. Life support devices or systems are devices or systems which, (a) are intended for surgical implant into the body, or (b) support or sustain life, and (c) whose failure to perform when properly used in accordance with instructions for use provided in the labeling, can be reasonably expected to result in a significant injury to the user.
2. A critical component in any component of a life support device or system whose failure to perform can be reasonably expected to cause the failure of the life support device or system, or to affect its safety or effectiveness.

www.fairchildsemi.com

This datasheet has been downloaded from:

www.DatasheetCatalog.com

Datasheets for electronic components.



LittleDiode supplies new, hard to find or obsolete electronic components and semiconductors all over the world.

With over two million different components listed you are sure to find the part you need.

Feel free to visit us today at our online store:

LittleDiode.com

Looking forward to providing you with the best possible service.